

Christoph T. M. Krause - The Drum Dial – Vol. 2

**Back the Future -
A Chronology of the Patents**

Christoph T. M. Krause

The Drum Dial

Vol. 2

**Back to the Future -
A Chronology of the Patents**

© 2021 Christoph T. M. Krause
Cover Design: Christoph T. M. Krause
Author Christoph T. M. Krause, Heerstr. 394a, EU-D-Berlin.
Translation from German: Anja Kadir, EU-D, Elmshorn.
Publisher and Print: tredition GmbH, Halenreihe 42, 22359 Hamburg

978-3-347-29269-7 (Paperback)

978-3-347-29270-3 (Hardcover)

978-3-347-29271-0 (e-Book)

This work, including its parts, is protected by copyright.
Any use without consents of publisher and author is prohibited.
In particular, this applies to electronic or other reproduction,
translation, distribution and public access.
The publisher has all rights to use pictures
and illustrations, presented in this book.

Bibliographic information from the German National Library:
The German National Library lists this publication in the German National
Bibliography; detailed bibliographical data are available
via Internet at <http://dnb.d-nb.de>.

P.		CONTENT	Vol. 2	Back to the Future
9	I.	Introduction	a.	Preliminary Remarks
12			b.	Back to the Future
17			c.	Transcription
19			d.	Chronological Overview
	II.	Siemens Patents		Chronology of Documents:
	Pos	Patentholder	Date Pat. no.	Contents
21	01	UK Patent Office	02/04,1932 366408	Patent Specification , UK Forerunner of the Drum Dial Apparatus (Built-in Desk version).
27	02	German Patent Office	08/14,1952 852400	Patent Specification , FR Germany.
33	03	Swiss Patent Office	04/15,1952 282227	Patent Specification , Switzerland. The Drum Dial with a Transverse Handset See pos. no. 02.
39	04	German Patent Office	12/04,1952 864105	Patent Specification , FR Germany.
47	05	Siemens PLC	09/01,1952	Siemens Patent Application Illustration , FRG. (discarded later on, no patent). The Drum with Directory of Participants.
51	06	German Patent Office	12/04,1952 864104	Patent Specification , FR Germany
57	07	German Patent Office	12/04,1952 864106	Patent Specification , FR Germany
65	08	German Patent Office	12/04,1952 864107	Patent Specification , FR Germany
73	09	German Patent Office	01/08,1953 867701	Siemens Patent Specification , FRG. The Design of the Ground Button.

81	10	German Patent Office	03/20,1953 874156	Siemens Patent Specification , FRG. The Handset and the Cradle..
89	11	German Patent Office	04/02,1953 876706	Siemens Patent Specification , FRG. The Bell System.
97	12	German Patent Office	05/18,1955 928899	Siemens Patent Specification , FRG. A Display Device for the Pull Number Switch.
105	13	German Patent Office	05/27,1959 972232	Siemens Patent Specification , FRG. The Modular System of Components.
115	III.	Annex	01	Literature References.
118	III.	Annex	02	Sources/ Acknowledgements
121	III.	Annex	03	A Letter to the Author.
125	III.	Annex	04	Epilogue
127	III.	Annex	05	Original Patent Specifications in German (transcribed): Patent No. 02-04, 06-13.
				FRG = Federal Republic of Germany

This book is dedicated to my husband

~ I. Introduction ~

a. Preliminary Remarks.

The disease Covid-19, also referred to as Corona, changed the world in the year 2020. Nothing remained as it used to be.

As a result, my project to explore the history and design of the Drum Dial, as well as to compile extensive, existing material some 70 years later, was suddenly thwarted and, without mercy, split into several parts (volumes 1, 2 and 3).

The Siemens Archive in Berlin, which was so important to me as a source for extensive background information, which only the manufacturer Siemens would know, was completely closed for most of 2020, as well as a few more months in 2021. At the time of reporting, no one knew what would happen going forward.

Hence a decision was made at the end of 2020 to present the treasures that I had hoped to find in the archives at a later date in an additional volume.

As luck would have it, in 2020 I received further documents from the all-important "German Telephone Collection Association" (SIG)¹.

Fellow collectors² learned of my project and the publication of the first volume

"The Drum Dial – The Forgotten Telephone Luminary of the German Foundation Years"

and insisted on sharing their sources.

This information turned out to be a historical-chronological collection of Siemens applications and patents, which shed light on the background of the origins of our luminary.

My introductions to the respective Siemens patent applications and patents that materialised, as well as the patents themselves, were so extensive that the decision was made to draft volume 2 straight away.

The compilation of an "archive edition", which was planned after the completion of Volume 1, i.e. the presentation of the documents to be expected from the Siemens Archive in Berlin, has once again been postponed until after the archive reopens or the Covid-19 Pandemic has been tackled (hopefully in the not-too-distant future).

Despite all external adversities, I am convinced that such great effort and persistence will pay off in the end, as the Drum Dial is a telephone device of contemporary history, which once again is currently "in the making"!

¹ Sammler- und Interessengemeinschaft für das historische Fernmeldewesen e.V., Hamburg. [Collectors and Interest Group for Historical Telecommunications i.a., EU-D, Hamburg]

² Great thanks goes to Dr. Dietrich Arbenz (see also list of literature) und Ole Warrelmann of SIG e.V.

The corona crisis shows how quickly the known world can change and how everything that once was, can become insignificant and be forgotten.

The **Drum Dial** (and many other things) by no means deserves such a fate.

It is one of the contemporary testimonies to a time of awakening and economic miracles (in the 1950's) and is an example of new hope and the courage to start over after a worldwide drama of annihilation and total war.

Let us remember the beauty of many unique, innovative and artistic treasures by looking at the drum dial. Let us think of what once was and feel encouraged, despite all of today's adversities, and precisely because of this, to look ahead with confidence and verve.

Let us also think of the two World Wars, as people managed to overcome these and started anew each time, albeit with unbelievable human and social sacrifices.

Trivia



When In Quarantine

PEOPLE who are in quarantine are not isolated if they have a Bell Telephone. ✱

The Bell Service brings cheer and encouragement to the sick, and is of value in countless other ways.

Friends, whether close at hand or far away, can be easily reached, because Bell Service is universal service.



NEW YORK TELEPHONE CO.

Image 01. 1904, NYC, USA.

~ I. Introduction ~

b. Back to the Future.

Back to the future?

You're probably thinking: "That's a quote!". That's right, almost everyone in the world knows the famous films from the 1980's.

With our knowledge of today, we will also go back in time to consider the future of the telephone, because the Drum Dial is a device from the past that points to the future of that time.

In the meantime, our present has overtaken this future.

It is also for this reason that at first glance, the classification of the chronology of the Drum Dial is not as easy as one initially assumes.

A British patent was found dating back to as early as 1932, which apparently indirectly goes back to or is based on the pioneering role of a German icon¹ in the advertising sector; a German patent counterpart to this inventor and his device could (so far) not be found in the archives.

This British patent describes the forerunner of the Drum Dial's "pull number switch", which was used in exchanges (PBXs) and post offices and, due to its size and extent, could not be built into conventional telephones.²

This pioneer was:

"Hans Wilhelm Karl Gustav Domizlaff (born May 9, 1892 in Frankfurt am Main, † September 5, 1971 in Hamburg) was a German graphic artist, advertising psychologist and writer.

Domizlaff worked as [...] advertising consultant and creator of well-known brands and branded goods in Leipzig, Berlin and Hamburg³.

With his book publications on the subject [...] he was elevated to the position of founder of brand technology. [...]

[In the 1920s he worked for the German cigarette producer Reemtsma and from 1934 onwards he..., author' addition]

[...] advised Carl Friedrich von Siemens on the organisational reconfiguration of the group based on brand technology.

¹ This information was provided by Dr. Dietrich Arbenz (see also list of literature) and Ole Warrelmann of SIG e.V., Hamburg.

² See also: Krause: "The Drum Dial", Vol 1, pp. 17 and 45.

³ Cities in the Federal Republic of Germany.

He developed an image for the entire company, which, as the so-called Siemens style, became the model for the corporate design of many companies.

From 1938, he headed the Main Advertising Department of the Siemens group. As a product designer, he created radios, **telephones** [emphasis added by the author] and vacuum cleaners.”⁴

At times, Hans Daniloff worked in this Siemens "Main Advertising Department"⁵, on a special mission where he also "dealt with questions of product design"⁶ and developed the so-called "Telegnome"⁷ based on and using the pull number switch idea, a kind of smaller, more space-saving form of a telephone set than was common at that time.

***'With the old machine with a rotary dial, it annoyed him that he had 'to use his fingers as an axis for a technical process'. Domizlaff developed an apparatus in which the even numbers were on the right and the odd numbers on the left, where one dialed from top to bottom.'*⁸**

The "Telegnome", a combination of **telephone** and **gnome** (dwarf), had this famous lengthways handset receiver, and therefore appeared particularly slim and at the same time offered a futuristic-looking design.⁹

To a certain extent, the "Telegnome" and, at the same time, its creator Daniloff were the forefathers of the Drum Dials, and the "Telegnome" was so similar to the FgTist 261 and 264, which were actually built at a later stage, that they were like peas in a pod.

It appears that this specific and innovative device concept was put on hold by the war and its consequences and / or disappeared as a concept for the time being, because there is neither a patent for this, nor was such a device built or introduced in series before the war.

It is therefore not surprising that the idea of such an innovative device with a modern design immediately rose from oblivion after the war, also¹⁰ as the zeitgeist of the 1950's promoted and supported new concepts and such new conceptual designs.

The attempt of a new societal beginning in Germany (and certainly elsewhere in the world) was accompanied by a general technical and design-oriented "reset"¹¹, including and above all at Siemens.

⁴ Internet quoting: Linkfang. URL https://de.linkfang.org/wiki/Hans_Domizlaff. Keyword „Hans Domizlaff“. Status: 3rd Dec. 2020., translated by Kadir, Anja, Elmshorn, FRG.

⁵ Ibid. Linkfang.

⁶ Arbenz, Dietrich b..

⁷ Arbenz, Dietrich b..

⁸ GEM, Gesellschaft zur Erforschung des Markenwesens e.V.: 25 Years of Domizlaff's Brand Method. In: Markenartikel, Magazine for Brand Management. Special edition, June 2007, p. 43. Berlin, FRG.

⁹ See further explanations in: Krause: "The Drum Dial", Vol. 1, p. 47 f.

¹⁰ As already mentioned in: Krause: "The Drum Dial", Vol. 1, p. 16ff.

¹¹ "A reset" [...] is an anglicism [especially for the German reader, and first and foremost, a computer expression, author's addition] for a process by means of which a [...] system is set back to a defined original state. This may be necessary, if the

Compared to other aspects of social development in the German Reich before and the Federal Republic (of Germany, sometimes aka as Western Germany) after WWII, it is noticeable that many innovations, legal reforms or social developments were in the making in the emerging period of the Weimar Republic¹², only to be suddenly stopped and discarded by the Nazis' "seizure of power"¹³ and the ensuing world war, or simply to be forgotten.

An example: In the German Reichstag¹⁴ during the Weimar period there was a legislative initiative run by Magnus Hirschfeld and his Berlin "*Institute for Sexual Science*" to abolish criminal paragraph 175 (relating to homosexuality) with all its inhumane, criminal law consequences for those affected.

This long overdue deletion of the law was about to be passed when the Nazis illegally "seized power" in 1933.

The seizure of power does not refer to the result of the election, because the Nazis were actually elected by means of a democratic election. The seizure of power was the result of this election, as the Nazis abolished democracy as per their understanding and destroyed the democratic constitutional state within a very short period of time.

It was not until 1969 or 1973 that the criminal offense of homosexuality was completely abolished in Germany, including limitations in relation to an age restriction in the future. A "remaining paragraph" remained valid until 1994, when this remaining paragraph was also completely abolished¹⁵.

There had been or would have been many social changes, improvements and democratic reforms as early as the 1920's or 1930's, had it not been for the "seizure of power" and WWII.

And so many of these initiatives were on hold for decades or were completely forgotten, until, in some cases, things changed or could change in Germany at a much later point.

The example of civil rights for homosexuals, all the way to opening up marriage to everyone in 2017, shows how tough and difficult changes can be.

Put simply, whole decades passed without progress because of 12 years of fascism and an unconstitutional state.

system is no longer working correctly and no longer responds to the usual inputs." Internet quoting. Wikipedia, Keyword: Reset. URL: <https://de.wikipedia.org/wiki/Reset>. Status: 24th Nov. 2020. Translated by Kadir, Anja, Elmshorn, FRG.

¹² As the first German parliamentary democracy, The "Weimar Republic" existed after WWI from 1919 to 1933, the Nazi "seizure of power".

¹³ The term "seizure of power" is a controversial expression, as the Nazis actually came into power as the result of a democratically legitimised election, nevertheless, this term relates to the abolishment of democratic institutions and parliamentary societal structures thereafter.

¹⁴ The Reichstag was the Weimar Republic's (1919-1933) parliament, located in the same building as the "German Bundestag" in Berlin, FRG today.

¹⁵ In the GDR (German Democratic Republic = Eastern Germany, 1949-1990) Section 157 had been completely abolished as early as 1990 for the purpose of reunification. In a reunified Germany, for four years, from 1990 to 1994, there was a different law regarding the criminal liability of homosexuality in terms of age limit. In the GDR the age limit was 16, as was the case with heterosexual relationships, in the Federal Republic of Germany it was 18. This unfair treatment finally came to an end in the West in 1994.

A historical drama that has impacted on many areas to this day.

In regard to technology, medicine and many other areas it was the same or similar. Even the medical research of the "German Reich", which was internationally renowned in the 1930's, has to date been relegated to relative insignificance. Before the war, the language used internationally for medical research was German, after which it became (US) English.

And hence the Drum Dial will have met a similar fate, however, it was reissued quite early on, i.e. directly after the end of the war, thanks to the foresight of Siemens and ultimately also through the congenial preparatory advertising strategy of Hans Domizlaff.

The respective further development steps of the Drum Dial in details were added only gradually, apparently also because Domizlaff had not patented his invention, and as it had largely been forgotten or had faded into the background.

Instead, other designers registered patents that protected the Drum Dial itself, variants and/ or only parts of it. This has resulted in an initially confusing puzzle of partial development steps, which I have tried to somewhat unravel in this book.

However, there is no clear evidence to support all these assumptions about the actual background beyond the evidence presented here, so we can only speculate and try to draw conclusions accordingly.

Therefore, the history of the Drum Dial is also an image, symbol and product of German or even European history.

But if you do not want to place as much importance on it, it is at least a true **icon** of an entire century.

I will try to shed some light and thus close the circle from the past back to the future and back.

Trivia

There'll Be No Escape in Future From Telephones

PASADENA.—*P*—The telephone of the future?

Mark R. Sullivan, San Francisco, president and director of the Pacific Telephone & Telegraph Co., said in an address Thursday night:

"Just what form the future telephone will take is, of course, pure speculation. Here is my prophecy:

"In its final development, the telephone will be carried about by the individual, perhaps as we carry a watch today. It probably will require no dial or equivalent, and I think the users will be able to see each other, if they want, as they talk.

"Who knows but what it may actually translate from one language to another?"

Image 02.

The Tacoma News Tribune: There'll Be No Escape In The Future From Telephones.
Tacoma, Washington, 11. April 1953.

~ I. Introduction ~ c. Transcription.

The **patent specifications** shown below are transcriptions¹ of original documents from Siemens resp. of the respective patent offices.

They were transferred by the author in such a way, so as to reproduce them as closely to the original formatting as possible (see also below).

In some cases, the text and sketch pages are covered with printer marks, tints and copy shading and/ or have been scanned in odd (crooked).

They are therefore unsuitable or difficult to read for the purpose of a one-to-one transfer to a book project.

For this reason, I decided to transfer (transcribe) the original documents in order to make them more readable.

Sketches.

The **sketch** images following the patent specifications are often turned sideways to the left, i.e. upright. This means that you always have to turn the book to the left when reading in order to look at the sketch.

Therefore, the sketches were aligned with the text flow in a straight form (horizontally) wherever possible.

¹ Transfer from one format to another.

Trivia



Image 03.

Popular Mechanics by Hearst Digital Media: Plastic Shell Equips Phone For Two-Way Listening. Issue Nov 1953. 300 West, 57th Street New York, NY 10019-5899.

CHRONOLOGICAL OVERVIEW		
Year	Kind	Brief Description
1932	Forerunner	Drum Dial Apparatus (Built-in table version)
1933	- 1945	World War II
1951	Forerunner	Transverse Handset
1952	Forerunner	Transverse Handset
1952	Supplement/ Enhancement	Finger Stop as Part of the Number Switch
1952	Supplement/ Enhancement	Directory of Participants (discarded)
1953	Supplement/ Enhancement	Separate Jacket for the Number Switch
1953	Conception	The Interior's Design
1953	Conception	Ground Button
1953	Conception	Handset and Cradle
1953	Conception	The Bell System (upright in order to save internal space)
1955	Conception	Additional Display Device (discarded)
1959	Conception	Modular System of Components

~ II. Patents ~

01. UK Patent Office, 4th February 1932.

a. Patent Specification.

The Forerunner of the Drum Dial Device. (Built-in Table Version).

As early as 1930, Siemens had opted for an alternative to the dial number switch for switchboards, which was already established in companies and the post office, namely called the "straight pull number switch" (see also "The Drum Dial" Vol. 1, chapter II: "Patenting of the Drum Dial", p. 14).



Image 05



Image 06

This pioneer in terms of dial format was patented as early as 1930. At this point in time, I have a copy of the Siemens patent from the patent United Kingdom dated a year later (1931); the German counterpart resp. its predecessor has so far not been found.

Since, for our purpose, the British counterpart has the same effect, please find it, in follow-up to Vol. 1, presented below.

The pull number switch is to be installed in a telephone switching desk unit, so that the top is above the desk horizon and the bottom with the corresponding mechanics is below it.

The dialing device is able to accommodate a conventional number switch inside, which in this combination is installed perpendicularly parallel to the pivot axis.

Fig. 2 shows 10 finger recesses in a row, one below the other, with lettering on the plate below showing 10 numbers (1-0) on the left side and 10 letters (A-J) on the right side (in order to be able to serve the areas in their dialing system, which contain letters in addition to digits). The length of this finger unit variant had to be limited due to the narrow installation plan.

Not practical from a later point of view and therefore discarded, the slightly curved inscription or finger control unit can still be seen on the patent drawing, namely in an experimental state (fig. 2). However, the respective future development can already be seen in fig. 3.

Fig 3, accordingly, shows the variant of 2 × 5 staggered finger recesses that are offset from one another, that is to say five on the left-hand side and five on the right-hand side respectively. The necessary filling of the hollows with numbers is not mentioned here.

It can already be seen here that this shorter variant of the finger unit has a decisive advantage, since it requires less space for installation, especially with regard to the subsequent installation plan for the Drum Dial.

Whether this development in favour of the Drum Dial was anticipated at this point in time is not known and it is rather unlikely, as it took another 20 years for it to be developed.

It is thus clear that the development of the later Drum Dial was an innovative product of the post-war period, but its forerunner in terms of number switches (here pull number switches) was developed 20 years earlier, before World War II, and ultimately shaped the design of the Drum Dial and made it possible in the first place.

With this, Siemens proves that it relied on innovative developments with regard to improvements in usability and ergonomics at an early stage.



Patent Specification

RESERVE COPY
PATENT SPECIFICATION



Convention Date (Germany): June 18, 1980.

366.408

Application Date (in United Kingdom): June 18, 1981.

Nr. 17.708/81.

Complete Accepted: Feb 4, 1982

COMPLETE SPECIFICATION.

Improvements relating to Impulse Transmitters Used in Telephone Systems.

WE, SIEMENS & HALSKE AKTIENGESELLSCHAFT, a German Company, of Berlin-Siemensstadt, Germany, do hereby declare the nature of this invention and in what manner the same is to be performed, to be particularly described and ascertained in and by the following statement: -

The present invention relates to an impulse transmitter such as is used in automatic telephone systems for the generation of current impulses.

The impulse transmitter or number dial in common use has a finger plate provided with finger holes the plate being fixed transversely to the dial spindle and is parallel to the base plate of the dial. It is set by inserting a finger in a hole in the finger plate and turning the plate, the finger moving in a circular path about the dial spindle.

It has been found that in certain circumstances operation of the dial leads to soreness or damage of the user's finger. At an operator's position where a dial is constantly used this may take place as in some cases 100 settings of the dial per hour may be involved.

The main cause of such trouble is that in the setting of the dial there is a relative turning movement of the finger in the finger hole.

Apart from the foregoing the turning of the finger plate about its centre when the finger is substantially at right angles to the plate is not the easiest movement for the hand of the user and requires more expenditure of effort than a straight line movement, so that in the frequent use of the ordinary finger plate the hand of the user is noticeably tired after a short time.

Impulse sending mechanisms are known in which the user's finger moves in a plane. In one such form the setting member takes the form of an endless chain which engages sprocket wheels one sprocket wheel controlling interrupter springs. Other forms are concerned with the sending of several digits instead of a single digit.

The present invention has in view an impulse transmitter of a form in which an ordinary number dial may be readily incorporated.

(Price 1/-)

According to the present invention the setting member comprises a curved movable finger plate supported by a pivoted member the surface of the plate being disposed parallel to the axis of the pivot and the pivoted member is geared to a number dial. The drive of the dial may be effected by means of a toothed segment on the setting member which engages with a pinion on the dial spindle. The setting member may be provided with a counter balancing weight.

Number dials according to the invention are particularly suitable for building into telephone switch boards in which case they may be sunk into the key shelf only the finger plate projecting outside.

The accompanying drawing shows diagrammatically an embodiment of the invention in a form particularly suited for use on switch boards.

Fig. 1 is an end view partly in section.

Fig. 2 is a front view.

Fig. 3 shows a modified form of finger plate.

In the drawing 1 designates a number dial of the ordinary circular form. On its spindle 2 however a pinion 3 is mounted in place of the usual finger plate. The dial is suitably mounted on a side plate 9, an aperture 18 being provided therein through which the end of the spindle 2 and the pinion 3 passes. The side plate 9 and a corresponding plate 10 are secured by suitable means to a cover plate 13 and depend downwardly therefrom. The reduced ends of the shaft 8 are journaled in holes in the lower ends of the side plates 9 and 10 and rigidly mounted on the shaft is a sector shaped part 4 which is toothed at its upper edge and engages the pinion 3. Also rigidly mounted on the shaft 8 are plates 19 of substantially triangular shape which form gussets for the lower end of angle iron strips 20. The strips are joined at the upper ends by the sides of a curved and channel shaped finger plate 11. The finger plate is provided with the usual finger holes 16 ten in number. A designation strip 12 on which is marked the digits 1-0 is mounted on cross pieces which extend from plate 9 to plate 10.

The cover plate 13 has a slot 17 in it to give access to the finger plate the left hand end of the slot (see Fig. 1) serving as a finger stop. The numbers 1-0 may also be marked on one side of the slot 17 and other side letters may also be marked when letters are used in the exchange line numbering scheme.

The gusset pieces 19 as shown may have tail parts 23 between which is suspended a counter weight 7 which serves as a counter balance for the other parts mounted on shaft 8. Adjustability of the position of the counter weight is provided for by the clamping screws 5 being situated in slots 6 in the parts 23.

The impulse transmitter is set by inserting a finger in a finger hole and moving the finger in the direction of the arrow shown in Fig. 1. The return to normal may be by means of the usual spiral spring in the dial 1 or by a spring which is attached to the segment 4 (not shown).

If a single row of finger holes is provided there is a minimum practical length for the finger plate apart from the transformation ratio of the geared parts. The length may be reduced by providing more than one row of finger holes which may be staggered as shown in Fig. 3. Staggering may be avoided if for each row the finger stops are suitably arranged, that is, the front end of the slot 17 may be shaped so that when the finger is in a hole in one row it has further to move before being stopped than when it is in a hole in the other row.

Preferably the segment 4 is stiffened by means of pins 21 linking the segment with the side plates 9 and 10.

The cover plate 13 with its dependent parts is mounted on the key shelf of a switchboard, a suitable opening being provided and is secured thereto by screws 14.

As will be noted it is only substantially the finger plate which protrudes above the general level.

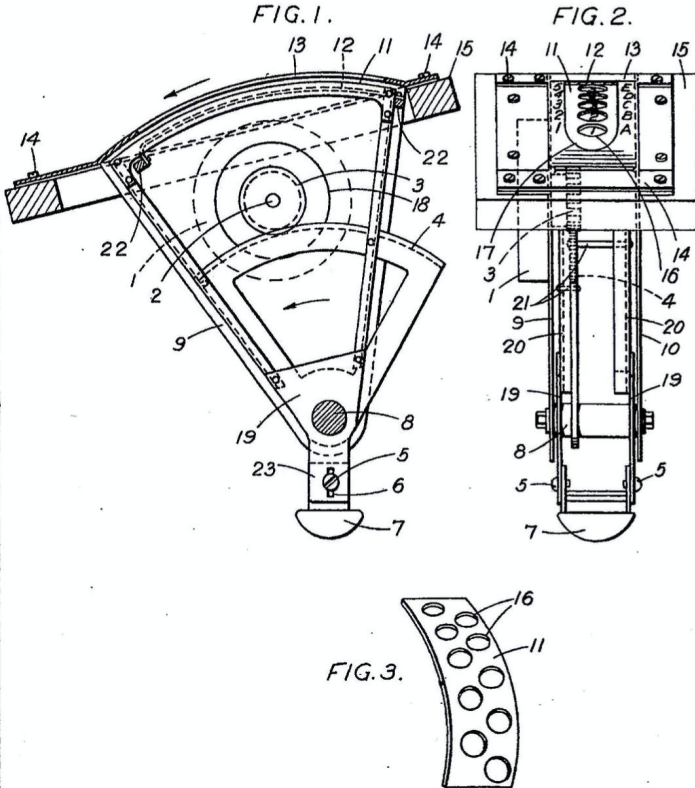
The arrangement according to the invention permits of the use of an ordinary mass produced number dial of the finger plate type which is advantageous in the case of irregular working since with the loosening of a few screws another dial can be substituted.

Having now particularly described and ascertained the nature of our said invention and in what manner the same is to be performed, we declare that what we claim is: -

1. An impulse transmitter in which the setting member comprises a curved movable finger plate supported by a pivoted member the surface of the plate being disposed parallel to the axis of the pivot and the pivoted member being geared to a number dial, substantially as described.
2. An impulse transmitter according to Claim 1 in which the setting member is provided with a counter balancing weight substantially as described.
3. An impulse transmitter according to Claim 1 adapted for key shelf use wherein the several parts are mounted on the underside of a cover plate the setting member only appearing above the general level of the cover plate, substantially as described.
4. An impulse transmitter according to Claim 1 adapted for key shelf use comprising a cover plate (13), side plates (9 and 10) depending therefrom attached to one of which is a dial shaped interrupter mechanism, the side plates forming bearings for a shaft on which is mounted a driving segment (4) and supports for a curved finger plate, substantially as described.
5. An impulse transmitter substantially as described with reference to the accompanying drawing.

Dated the 18th day of June, 1931.
 SIEMENS BROTHERS & CO.
 LIMITED.
 By their Attorney,
 F.A. LAWSON,
 For the Applicants.

[This Drawing is a reproduction of the Original on a reduced scale.]



~ II. Patents ~
02. German Patent Office, 14th August 1952.
The Drum Dial with a Transverse Receiver.¹

The patent announced in this Siemens application was already presented (see footnote 1), but is included again for the sake of simplicity.

It describes the Drum Dial, but still with a "normal" transverse receiver. The further development of the Drum Dial concept with the receiver lying lengthways only comes into effect at a later stage (in this volume) and represents a further development.

The development requirement of the receiver lying lengthways is owed to the fact of the Drum Dial needing to be more compact overall, which was not possible in the desired form with the receiver lying horizontally.

In addition, there were numerous arguments as to why a longitudinal receiver would be more advantageous² (Vol. 1, p. 18 f.).

The "hole variant" can also be seen in the design of the finger operating surface, albeit with a hint towards the finger recesses, which would be used at a later stage, being an alternative. These were then actually used for the Drum Dial; here, limitations as a result of sharp hole edges were to be prevented.

As it turned out years or decades later, the finger recesses have the disadvantage of a lack of adequate maintenance. It can be assumed that the operators of such a device never, or at least rarely, cleaned the finger grooves on a regular basis.

When restoring such a device today, which includes a thorough cleaning of the device, in almost 100% of the cases, the finger grooves have a strong, almost burnt-in layer of dirt, which can only be removed with great difficulty. This problem also arises from the fact that the recesses offer little surface for rubbing.

As already described in Vol. 1³, so-called Q-tips can be helpful when using cleaning agents, such as glass-ceramic cleaners, and a final application of olive oil helps to improve the shine.

1 as per "The Drum Dial" Vol 1, Appendix 01a, p. 53ff.

2 as per "The Drum Dial" Vol 1, p. 16ff.

3 as per "The Drum Dial" Vol 1, p. 17.



Patent Specification

FEDERAL REPUBLIC OF GERMANY



ISSUED ON
13TH OCTOBER 1952

GERMAN PATENT OFFICE

PATENT SPECIFICATION

No. 852 400
CATEGORY 21a³ GROUP 16o₁
P 3316 VIIIa/21a³ B

Fritz Döring, Berlin-Frohnau
has been stated as the inventor

Siemens & Halske Aktiengesellschaft, Berlin and Munich

Telephone station with number switch

Patented within the area of the Federal Republic of Germany as of 24th June 1949
The patent application was published on 1st February 1951
The granting of the patent was published on 14th August 1952

The invention relates to a telephone station with a number switch, the operating element of which has finger openings for each of the digits 1 to 9 and 0 and, after an elevating movement, causes the discharge of a corresponding number of current pulses or interruptions upon returning. In conventional telephone stations, the operating element of the number switch has the shape of a flat disc (dial) which can be rotated about an axis perpendicular to the disc surface and which contains the finger openings distributed on an arc. The position of the axis is usually selected in such a way that the user looks onto the surface of the dial as perpendicularly as possible.

These known designs, which have been in common use for many years, have some shortcomings. During the

dialling process, in which a spring has to be wound up in order to operate the pulse contact in the required rhythm with the help of the stored operation, sometimes sideways forces occur, which make it necessary for the most frequently used table stations to be so heavy that the device stays in place as safely as possible when dialling. Despite the development of communication technology having led to ever smaller and lighter, material-saving components, the exploitation of these advances has been severely hindered in this area, as a certain stability is required with regard to the dialling process.

However, there are also disadvantages when operating the number switch with a rotary dial, especially where dialling is to be carried out on a frequent basis.

852 400 [page 2]

On the one hand, the circular shape of the path the finger has to traverse when dialling hinders the achievement of high speeds. On the other hand, when the dial is pulled up, the edges of the finger openings slide past the fingertip under pressure, which can lead to discomfort for the user if repeated frequently. So-called straight pull number switches have therefore been developed for telephone exchanges, i.e. number switches, where the operating part is designed in the form of a slightly curved rail and contains the finger openings in two vertical rows next to each other. However, these number switches are

not suitable for installation in telephone stations because of their large space requirements, particularly in the vertical direction.

The invention now makes it possible to equip telephone stations with the advantages of the straight pull number switch, so as to improve the dialling process, as well as to save significantly on material, since the feasibility of the dialling process no longer depends on the stability of the device. According to the invention, this is achieved in that the operating part of the number switch is drum-shaped, containing the finger openings on a part of its

circumference facing the user, and that it can be rotated about its axis parallel to the base of the station (or, in the case of wall stations, to the wall surface) and that the other parts (spring, centrifugal governor, pulse contacts) of the number switch are installed in the space enclosed by the drum-shaped operating element.

It has proven to be advantageous to choose the diameter of the actuating part so that the largest angle of rotation is approximately 100 to 120 degrees. To achieve this goal, the finger openings, as is known per se, are expediently arranged in at least two rows next to one another.

The drawings show a model of the subject matter of the invention, namely a table station in three views, seen from the front (fig. 1), from above (fig. 2) and from the side (fig. 3). The handset (receiver) is only shown in the front view according to fig. 1.

The housing 1 contains four upwardly projecting protrusions 2, which serve as guide forks for the handset 3. Between these protrusions, there is a movable part 4 through which the changeover contact (hook switch) is operated.

In front of the handset 3, the number switch is arranged in a section of the cylindrical front surface 8 of the housing 1. Its drum-shaped operating part is denoted by 5. It contains, distributed in two rows approximately over a quarter of its circumference, the finger openings 6, which may also be oval, and is rotatable about its axis of symmetry parallel to the base.

When dialling, the edge of the housing at 7 serves as a finger stop. (However, a special finger stop can also be provided to enable all parts of the number switch to be set before it is installed in the telephone station.) As the drawing shows, when dialling, essentially only forces that are perpendicular to the base or at least components of such forces occur, so that the station can be easily operated without moving while dialling.

The mechanical parts of the number switch can be designed in the usual manner with the known dials. They're accommodated in the space enclosed by operating part 5.

In a departure from the model shown, the finger openings may also be designed as trough-shaped depressions in the cylinder barrel.

PATENT CLAIMS:

1. Telephone station with a number switch, the operating part of which has finger openings for each digit and, after an elevating movement, causes the discharge of a corresponding number of current pulses upon returning, characterised in that the operating part (5) of the number switch is drum-shaped, contains finger openings (6) on a part of its circumference facing the user, and that it is rotatable about its axis parallel to the standing surface of the station (or, in the case of wall stations, to the wall surface), and that the remaining parts (spring, centrifugal governor, pulse contacts) of the number switch are installed in the space enclosed by the drum-shaped operating element.

2. Telephone station as per claim 1, characterised in that the largest angle of rotation of the operating part is about 100 to 120 degrees.

3. Telephone station as per claim 1, characterised in that the finger openings are designed as trough-shaped depressions within the drum barrel surface.

4. Telephone station as per claim 1, characterised in that the number switch is arranged within the cylindrical front surface (8) of the station housing (1).

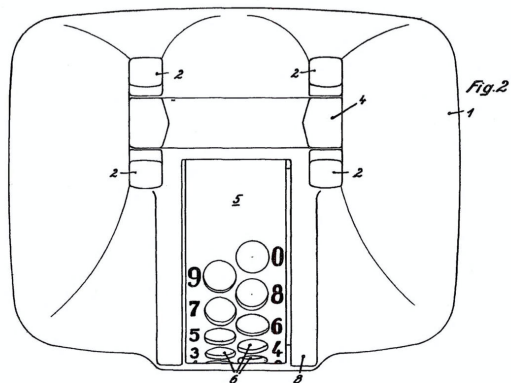
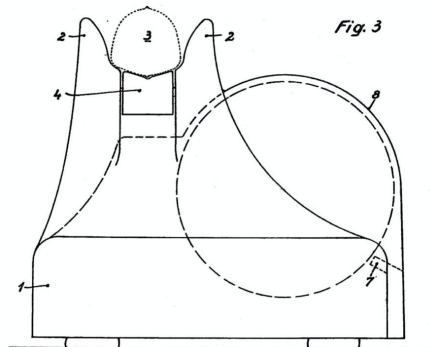
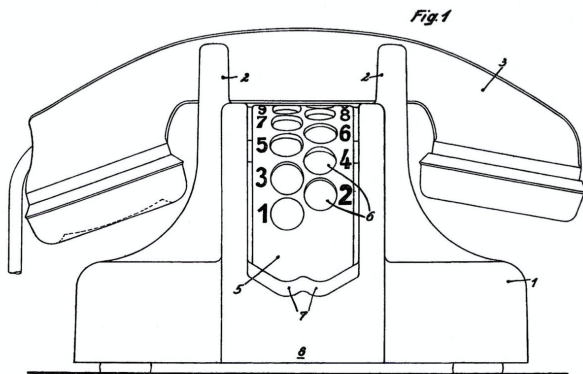
5. Telephone station as per claim 4, characterised in that the lower edge (7) of the section of the cylindrical front surface (8) serving to receive the operating part (5) is designed as a finger stop.

Referenced publications:

British patent specification no. 366 408;
Flad-Kirch: Railway Telephony 1948, p.55.

Attached 1 page with drawings

5412 10.52



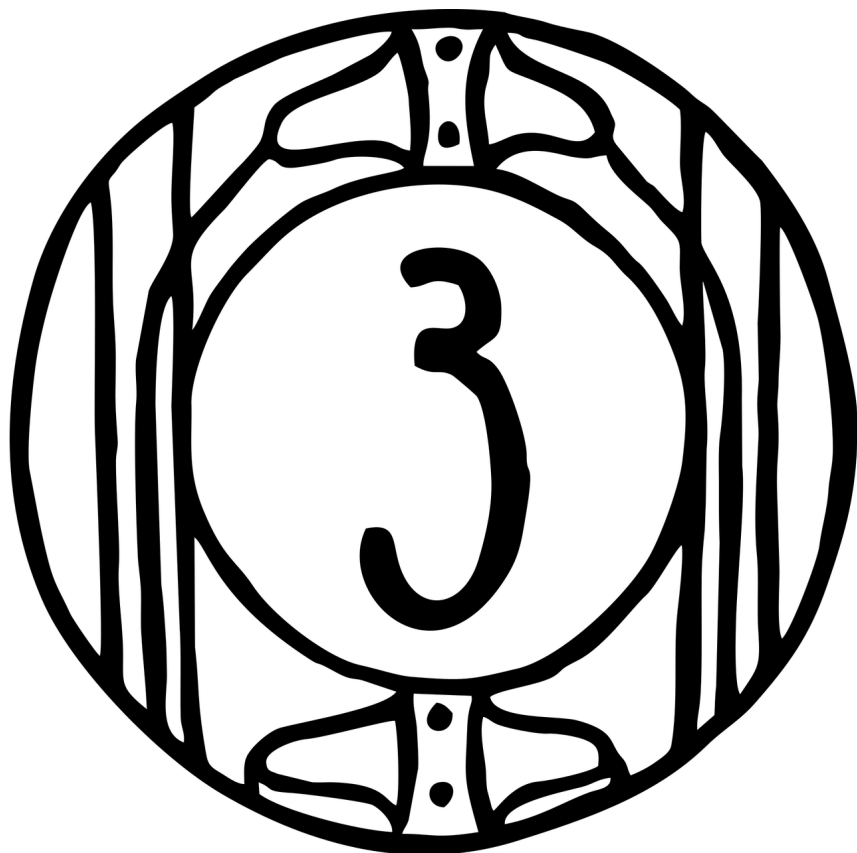
~ II. Patents ~
03. Swiss Patent Office, 15th April 1952.
The Drum Dial with a Transverse Receiver.¹

This Swiss patent essentially corresponds to the German patent (see footnote no. 1) and obviously was submitted to safeguard the Swiss market.

Not knowing, this patent could be interpreted as an indication that, at least at the time of the application, it was planned to launch the Drum Dial on the inner-European, or at least German-speaking market, for a longer period of time.

This is because for the actual and later period of only five years, where the Drum Dial was manufactured and marketed, such efforts would have been rather unlikely and counterproductive, not to say costly in the least.

¹ Similar to patent no. 2 (FRG).



Patent Specification



Application submitted on: 12th June 1950, 5:30 p.m. – Patent registered on: 15th April 1952.
 (Priority: Germany, 23rd June 1949.)

MAIN PATENT

Siemens & Halske Aktiengesellschaft, Berlin and Munich (Germany).

Telephone station with number switch.

The invention relates to a telephone station with a number switch, the operating slide of which has finger recesses for each of the digits 1 to 9 and 0 and which, after an elevating movement upon returning, causes the output of a corresponding number of pulses, e.g. closing impulses or interruption impulses. In conventional telephone stations, the operating element of the monitoring switch has the shape of a flat disk (dial) which can be rotated about an axis perpendicular to the disk surface, and which contains finger recesses distributed on an arc. Here, the position of the axis is usually selected in such a way that the user looks as approximately perpendicular as possible onto the surface of the dial.

These known designs, which have been in common use for many years, have some shortcomings. During the dialling process, in which a spring has to be wound up in order to activate the pulse contact in the required rhythm based on the stored operation, sometimes sideways forces occur, which make it necessary for the most frequently used table stations to be built in such a heavy manner, that the device stands as securely as possible when dialling. Although developments within the area of communications technology have led to the production of ever smaller and lighter, material-saving components, the exploitation of these ad-

vances has been severely hindered in this area because a certain level of stability is required with regard to the dialling process.

However, there are also disadvantages when operating the number switch with a rotary dial, especially where dialling has to be undertaken on a frequent basis. On the one hand, the circular shape of the path that the finger has to traverse when dialling hinders the achievement of high speeds. Furthermore, the edges of the finger recesses rub against the fingertip when using the dial, which may lead to discomfort for users if used repeatedly. So-called "straight pull number switches" have therefore been created for telephone operators, that is to say number switches, where the operating element is designed in the form of a slightly curved rail, containing finger recesses in two vertical, parallel rows. However, because they require more space, particularly in the vertical direction, these number switches are not suitable for installation in telephone stations.

Thanks to the invention, it is now possible to equip telephone stations with the advantages of the "straight pull number switch", so as to improve the dialling process and also to save significantly on material, since the feasibility of the dialling process no longer depends on the stability of the device.

According to the invention, this is achieved by the operating part of the number switch being drum-shaped, whilst containing the finger recesses on a part of its circumference facing the user, and by being rotatable about its axis parallel to the standing surface of the station (or, in the case of wall stations, parallel to the wall surface), and by installing the remaining parts of the number switch (e.g. spring, centrifugal governor, impulse contact) in the space enclosed by the drum-shaped operating element.

It has proven to be advantageous to choose a diameter for the operating part, so that the largest angle of rotation is about 100 to 120 degrees. In order to achieve this, the finger recesses, as is known per se, are expediently arranged in at least two rows next to one another.

In the drawing, a model of the object subject to the invention, namely a desk station, is shown in three views, seen from the front (fig. 1), from above (fig. 2) and from the side (fig. 3). The handset (micro-telephone) is only shown in the front view, as reproduced in fig. 1.

The housing 1 contains four upwardly projecting protrusions 2, which serve as guide forks for the handset 3. Between these protrusions there is a movable part 4, through which the changeover contact (hook switch) is operated.

In front of the handset 3, the monitoring switch is arranged in a cut-out on the front surface 8 of the housing 1, which forms part of a cylindrical surface. Its drum-shaped operating part is illustrated under 5, distributed in two rows across about a quarter of its circumference, it contains the finger recesses 6, which may also be oval, and is rotatable about its axis parallel to the base. Instead of openings 6, trough-shaped recesses may also be provided.

When dialling, the rim 7 of the housing serves as a finger stop. (However, a special finger stop may also be provided to enable all parts of the number Telephone station as per subclaim 3, characterised in that the lower rim (7) of the cut-out of the front surface (8) serving to accommodate the operating part (5) is designed as a finger stop.

switch to be set before installing the switch in the telephone station.) As can be seen from the drawing, when dialling, essentially only forces directed perpendicularly to the standing surface or at least forces having such components occur, so that the station may easily be operated without changing its location whilst dialling.

The mechanical parts of the number switch may be designed in a manner customary with existing dials. They are housed in the space enclosed by operating part 5 in a manner not evident from the drawing.

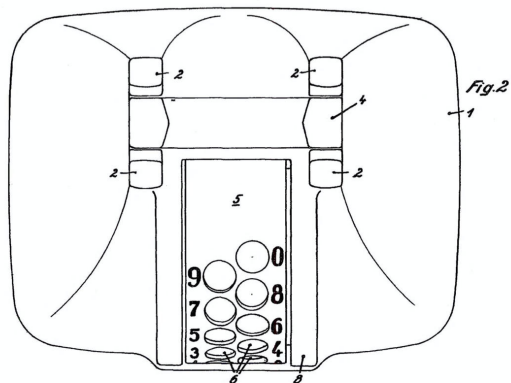
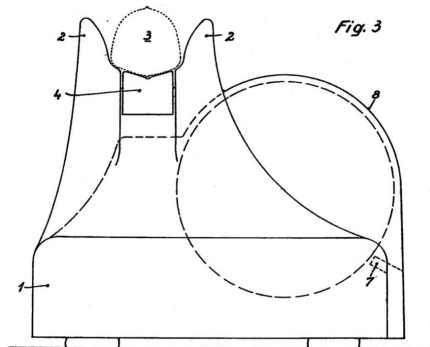
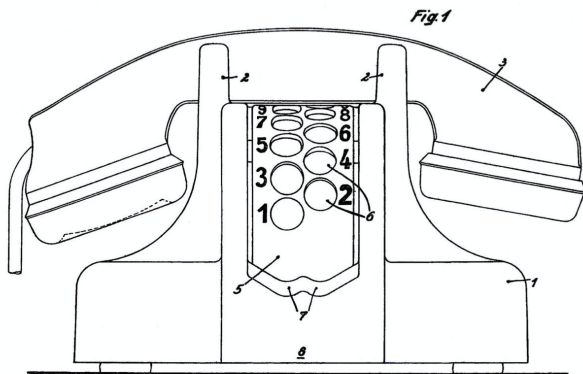
PATENT CLAIM:

Telephone station with a number switch, the operating element of which has finger recesses for each digit and, after an elevating movement, causes the output of a corresponding number of pulses when returning, characterised in that the operating element (5) is drum-shaped, contains finger recesses on a part of its circumference facing the user (6) and that it is rotatable about its axis parallel to the base of the station, and that the remaining parts of the number switch are installed in the space enclosed by the drum-shaped operating part.

SUBCLAIMS:

1. Telephone station as per the patent claim, characterised in that the largest angle of rotation of the operating part (5) is between 100 and 120 degrees.
2. Telephone station as per the patent claim, characterised in that the finger recesses are designed as trough-shaped recesses in the drum surface.
3. Telephone station as per the patent claim, characterised in that the monitoring switch is placed on the front surface (8) of the station housing (1) designed as part of a cylindrical surface.

Siemens & Halske Aktiengesellschaft.
Representative: Edmond Lauber, dipl. Ing., Geneva.



~ II. Patents ~
04. German Patent Office, 04th December 1952.
The Drum Dial with Transverse Receiver.¹
Here: The Introduction of a Finger Stop.

This additional patent to the main patent (presented in Vol. No. 1, p. 55ff and in the volume at hand under II.02) describes the further development of the number switch in terms of adjustment handling.

The number switch, which is mounted vertically onto the base plate in its jacket housing, has a common curved finger recess housing in the form of a cylinder. The user dials the respective digits by pulling the cylinder down.

So far, the finger was stopped there by the lower edge of the hood opening (which is placed in front of the number switch).

In case of an incorrect adjustment of the control panel as part of the casing in conjunction with the number switch located inside, this resulted in an incorrect dialling process if the correct distance between the lower edge of the phone housing and the finger recess (lowermost number 1) was not there.

So that the distance between the finger recesses and any type of lower edge does not depend on the phone housing, a finger stop is presented in this patent, which is integrated into the number switch.

This finger stop is a cross bracket attached to the metal housing of the number switch, featuring a plastic cover (see volume 1, fig. p. 32). The cover has a sloping profile that stops the finger when pulling it down exactly between the lower edge of the hood and the movable control panel.

However, inside the number switch, the distance between the cross bar and the outer number switch cylinder casing must be set correctly (here the distance criterion is the lower edge of the finger recess control panel = number 1).

The correct distance is hence ensured, as the outer number switch casing can be screwed on with the help of longitudinal screw openings (see also illustration in volume 1, p. 34), so that the correct distance of 2-2.6 cm between the lower number 1 and the cross bracket is guaranteed.

Thus, the correct dialling process is independent of the hood or its lower edge of the number switch section and may also be performed without an attached hood (which would be helpful for repairs on site).

Because if the hood were important when adjusting the dialling process on site, it would have to be put on and taken off all the time.

As mentioned above, the distance within the number switch, in my personal experience, is 2-2.6 cm (see also volume 1, p. 50 towards the bottom).

¹ Similar to patent no. 2 (FRG).

The present patent is therefore a sensible and elementary further development in creating a perfect interaction between all modules of the Drum Dial and shows the innovative and complex design of a compact telephone device.



Patent Specification

Issued on the basis of the First Transition Act dated 8th July 1949
(WiGBI. p. 175)

FEDERAL REPUBLIC OF GERMANY



ISSUED ON
22ND JANUARY 1953

GERMAN PATENT OFFICE

PATENT SPECIFICATION

No. 864 105

CATEGORY 21a³ GROUP 16₀₁

S 23056 VIIIa/21a³

Bernhard Jörgensen, Berlin-Siemensstadt
has been stated as the inventor

Siemens & Halske Aktiengesellschaft, Berlin and Munich

Telephone station with number switch

Addition to patent 852 400

Patented within the area of the Federal Republic of Germany as of 9th May 1951

The main patent started on 24th June 1949

The patent application was published on 15th May 1952

The granting of the patent was published on 4th December 1952

Patent 852 400 relates to a telephone station with a number switch, the operating part of which is in the shape of a cylinder barrel, which contains the finger openings on a part of its circumference facing the user and is rotatable about its axis parallel to the base of the station.

As part of the arrangement shown in German patent no. 852 400, part of the attached housing cap forms a finger stop when the dial drum number switch is pulled up. However, the distance covered by the dial drum when pulled determines the number of impulses to be generated. If the path of the dial drum is not correctly set up, this would give rise to an incorrect number of impulses

and thus to incorrect connections. To adjust the dial drum, it is therefore necessary to remove the housing cap in order to access the adjustment elements of the dial drum.

The invention therefore aims to introduce a simplified setting up and testing of the dial drum number switch and consists of the housing of the dial drum number switch being provided with a finger stop for the dial drum.

The arrangement as per the invention ensures that the precise setting of the dial drum may be facilitated independently of the housing cap.

864 105 [page 2]

An exemplary model of the invention is depicted in the drawing.

Fig. 1 shows the front view of the number switch.

Fig. 2 shows the side view from the left, and

Fig. 3 shows the section A-B.

Fig. 4 and 5 show details of the worm gear pulse wheel assembly. The housing 1 is used to accommodate individual number switch components, namely the gear segment 2, stop 15, contact piece 3, transmission gear 4, 5,

worm wheel arrangement 6 with pulse wheel 7, ratchet wheel 30, pawl 26, switch wafer 29 and pinion 28, brake regulator arrangement 8 with worm shaft 9, impulse contact spring set 10, *nsa*-contact spring set 11 and brake spring 12 for the impulse wheel 7.

The housing 1 features threaded holes 33, 34 which are used to fasten the housing 1 to the frame (not shown) of a base plate.

The gear segment 2 and contact piece 3 are attached to the main axis 13 of the number switch. A special bearing bush 14 is pressed into the housing 1 of the number switch for mounting the main axis 13.

The mainspring 18 is arranged above the bearing journal of housing 1. The inner end 19 of the spring 18 is held in a slot in the journal. The outer end 20 of the spring 18 is attached to the spring housing 21. The spring housing 21 with the contact piece 22 and the dial drum 23 are firmly connected to axle 13. The housing 1 has a stop piece 17, against which the angled stop tab 16 of the stop 15 rests in the rest position of the number switch. The stop piece 24 is cast onto the housing 1. The front part of the stop piece 24 extends over the entire width of the dial drum 23. An insulating material sleeve 24 is pushed over the front part of the stop bar, so that the finger of the user operating the number switch does not come into contact with the housing 1, which is made of metal.

When the drum 23 is pulled up to stop 24, the axle 13 with the gear segment 2 is moved in accordance with the distance covered by the drum 23. This distance is transmitted by the gear segment 2 via the transmission gear 4, 5 to the pinion 28 and thus to the switching disk 29 on which the pawl 26 is attached.

The distance covered by the switching disk 29 controls by how many gear units the pawl 26 is rotated about the ratchet wheel 30. Since, in the present case, the number of catches of the ratchet wheel 30 corresponds to the number of cams on the pulse wheel 7, there are three ratchet catches and three cams in this case, and since an impulse is generated by each cam, the number of impulses generated is equal to the number of catches, over which the pawl 26 is rotated when winding the dial drum.

If the path covered by the dial drum 23 and thus the path covered by the switching disk 29 is too small, the pawl 26 will not engage the ratchet catch of the ratchet wheel 30 intended for the selected digit, and one less impulse will be generated. If, however, the path of the dial drum 23 is too great, the pawl 26 is rotated too far by one catch of the ratchet wheel 30 and thus one more impulse is generated. The dial drum 23 must therefore assume a certain rest position and a certain distance must be covered between the rest position of the dial drum 23 and the stop 24, 25 so that only the number of

impulses corresponding to the selected digits is generated with the greatest possible reliability.

With regard to unavoidable tolerances in production, it is therefore necessary for the distance covered by the dial drum 23 to be adjustable. For this purpose, the through holes of the dial drum 23 for the fastening screws 31, 32 are designed as central elongated holes, so that the dial drum may be rotated into such a position, that after the number switch is lifted, the pawl 26 is sure to fall behind the catch of the ratchet wheel 30, which controls the generation of the required impulses.

If, after the number switch has been pulled, the dial drum 23 is released, the force of the spring 18 causes the number switch to run. Here, the gear segment 2 is moved against the direction of the arrow. The transmission gear 4, 5 also moves in the opposite direction of the arrow. The larger transmission wheel 5 causes the pinion 28 to rotate. The switching disk 29 coupled to the pinion 28 with its pawl 26 performs a corresponding movement. The pawl 26, which falls behind one of the catches of the ratchet wheel 30, now transmits the sequence movement to the worm wheel 6 and the impulse wheel 7 coupled to it. The impulse wheel 7, which is set in rotation, activates the impulse contact spring set 10 in a certain rhythm. The worm shaft 9 is rotated by the ratchet wheel 6. As is commonly known, the brake regulator 8 ensures a time-specific sequence of the number switch. The return movement of the number switch is facilitated until the stop 15 rests against the stop piece 17 of housing 1. When the number switch reaches the rest position, the locking spring 12 controlled by the switching disk 3 also goes into the rest position and is situated in front of the cam of the pulse wheel 7, so that the moment the stop 15 reaches the rest position, the pulse wheel 7 too is held in the rest position and will in no case cause an additional unwanted activation of the pulse contact spring set 10 by means of a slinging movement. The number switch shown in the drawing is designed in such a way that two additional impulses are generated after a certain number is pulled. However, these two impulses are also suppressed by short-circuiting the pulse contact 10 by means of the *nsa*-contact spring set 11, which is controlled by switching disk 3.

864 105 [page 3]

PATENT CLAIMS:

1. Telephone station with number switch, the operating part of which has the shape of a cylinder barrel, which contains the finger openings on a part of its circumference facing the user and can be rotated about its axis parallel to the base of the station, according to Patent 852 400, characterised in that the housing (1) of the dial drum number switch features a finger stop (24) for the dial drum (23).
2. Telephone station as per claim 1, characterised in that the finger stop (24) with the housing (1)

of the number switch is made of one cast piece.

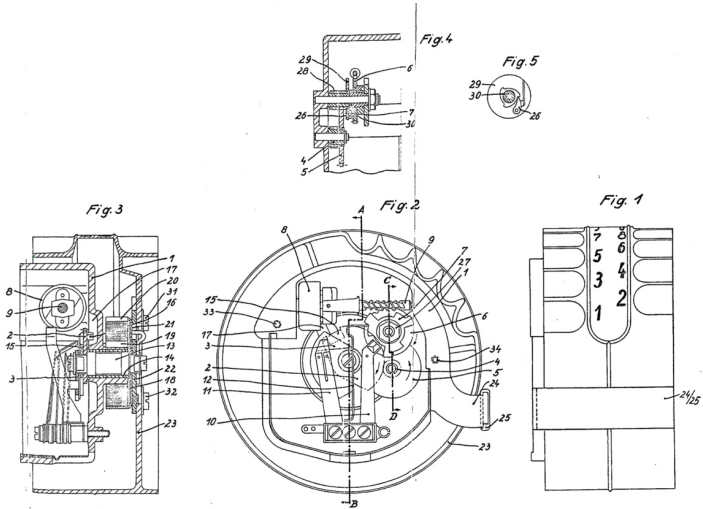
3. Telephone station as per claim 1, characterised in that the side part of the finger stop (24) is situated within the mounting plane of the housing (1).
4. Telephone station as per claim 1, characterised in that a stop piece projecting beyond the width of the dial drum (23) is angled on the side part of the finger stop (24).
5. Telephone station as per claim 4, characterised in that an insulating sleeve (25) is pulled over the angled part of the finger stop (24).

6. Telephone station as per claim 1, characterised in that the dial drum (23), which may be rotated around the housing (1), has elongated holes within the intermediate wall used for

attaching to the engine parts of the number switch, which enable the setting up of a certain pull path for the dial drum (23).

Attached 1 page with drawings

5645 1.53



Siemens & Halske
A.G.

~ II. Patents ~

05. German Patent Office, 1st September 1952. The Drum with Directory of Participants.

This patent application intended to apply a built-in list of participants on the finger control surface of the drum selector at the point where no finger holes or recess openings are to be found on the drum cylinder, i.e. behind the labelled finger recesses from the user's field of vision.

This free area was to be covered with paper with the possibility of entering, for example, participant names and phone numbers. In addition, a plastic glass strip cover was planned.

By opening the drum before dialling, the user or caller could gain access or a better view of the participant area by pulling down the number "0", i.e. the top number of the drum, and thereby releasing the participant directory.

After viewing the number on the participant's area, the "0" could be released again (that is, let go), the drum would move back towards its rest position and the dialling process could begin with the read telephone number.

About a year after the application was drafted, it was cancelled again; to the best of my knowledge, there is no published patent.



Siemens Application

Fig. 1

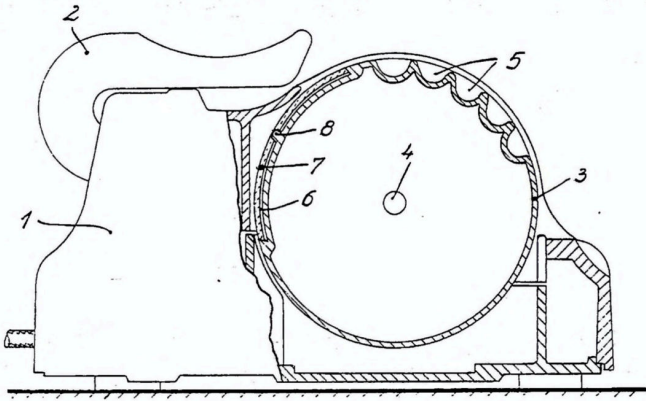
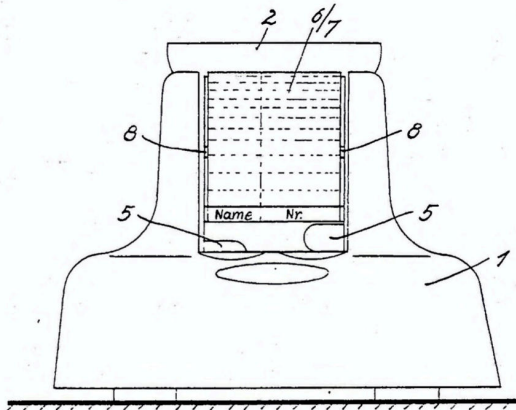


Fig. 2



Siemens & Halske
A. G.

~ II. Patents ~
**06. German Patent Office, 04th December 1952.
The Number Pull Switch Jacket.**

This patent mainly describes the technical conception of the number switch casing of the Drum Dial, specifically in terms of a technical implementation without problems.

Here, it is crucial that one works with the manufacturing material, with "injectable insulating material, and in particular polystyrene", which makes it possible to manufacture "moulded parts" more easily, as well as to combine them with one another without much ado.

What is a decisive and interesting aspect for the interested reader, however, is, that this technical process leads to the finger openings (recesses in this case) reaching all the way to "the edge of the cylinder material".

Round finger openings or recesses have now become **elongated recesses**, namely on the side,

- a. which extends to the digits in the middle of the control surface, with **semicircular ends** and
- b. **straight ends** at those points, which lead to the respective left or right edge of the casing.

This is one of the features that makes this Drum Dial an extraordinary device and its control surface a unique detail, which is and will remain unknown in conventional rotary dial telephones.



Patent Specification

Issued on the basis of the First Transition Act dated 8th July 1949
(WiGBI. p. 175)

FEDERAL REPUBLIC OF GERMANY



ISSUED ON
22ND JANUARY 1953

GERMAN PATENT OFFICE

PATENT SPECIFICATION

No. 864 104

CATEGORY 21a³ GROUP 16₀₁

S 23016 VIIIa/21a³

Bernhard Jörgensen, Berlin-Siemensstadt
has been stated as the inventor

Siemens & Halske Aktiengesellschaft, Berlin and Munich

Telephone station with number switch

Addition to patent 852 400

Patented within the area of the Federal Republic of Germany as of 5th May 1951

The main patent started on 24th June 1949

The patent application was published on 15th May 1952

The granting of the patent was published on 4th December 1952

Patent 852 400 relates to a telephone station with a number switch, the operating part of which has the shape of a cylinder barrel, which contains the finger openings on a part of its circumference facing the user and is rotatable about its axis parallel to the base of the station.

In the model depicted as part of the main patent, the finger openings are round holes or trough-shaped recesses in the cylinder barrel.

The present invention represents a further development of the arrangement as per the main patent and consists of the widest point of the finger openings or the trough-shaped recesses extending to the edge of the cylinder barrel.

The arrangement as per the invention makes it possible to use a mould for the production of the dial drum from injectable insulating material, and in particular polystyrene, whereby the parts of the mould that form the finger openings can be firmly arranged in the lower or upper part and the injection-moulded dial drum may be removed from the mould without having to pull back mouldings for the finger openings.

An exemplary model of the invention is depicted in the drawing.

Fig. 1 shows the cylindrical operating part, the so-called dial drum of the number switch, in a front view; Fig. 2 shows the left side view of the dial drum; Fig. 3 shows the section A-B of the dial drum and Fig. 4 shows the section of the dial drum C-D.

864 105 [page 2]

The dial drum with the cylinder barrel 1 has a partition 2, which divides the interior of the dial drum, as can be seen from fig. 3, into two spaces of different sizes. The middle wall 2 has a centrally arranged hole 3 and two longitudinal holes 4, 5 (fig. 2 and 4) for fastening the dial drum to the rotatable part of the number switch, not shown. One part of the circumference of the dial drum features the finger openings 6, 7. The widest point of the

finger openings 6, 7, which in the present case are trough-shaped recesses, extends up to the outer edges of the dial drum. The finger openings 7 arranged on the left side of the dial drum are intended for the uneven digits 1 to 9, while the finger openings 6 provided on the right side of the dial drum are intended for the even digits 2 to 0.

The division of the interior of the dial drum into two unequally large spaces by means of partition 2 is due to the fact that the mechanical parts of the number switch, not shown, take up the larger space. The partition 2 is not joined up to the finger opening 7 in a straight manner, but has an angled surface 8, 9. These bends are only intended below the finger openings and limited by the radially arranged surfaces 10 and 11 (fig. 2, 4).

Between the two rows of finger openings 6, 7 there is a free space for the arrangement of the digits 1 to 0. These digits may be applied to the, for example, black dial drum using white or luminous paint. The outer barrel may also be equipped with indentations corresponding to the numbers, which are filled with white or luminous paint. Another way of producing the digits is to use a multiple injection process, e.g. the dial drum is, in a first step, injected with cavities corresponding to the respective numbers or characters and these cavities are then injected in a second step with a differently coloured injection compound. The reverse order may also be applied, i.e. one may first inject the digits or characters and these, which are conveniently joint using different pieces, then form an injection-moulded part, which is then injected in a second step with the dial drum.

The broadly hatched space shown in fig. 3 on the left side forms the upper part of the mould and may be lifted off after the injection moulding process without damaging the dial drum.

The cross-hatched space 13 in fig. 3 between the two rows of digits 6 and 7 can be filled with insulating compound. In this case, the shaded right space in fig. 3 forms the lower part of the injection mould, which has no moving parts, in order to remove the dial drum from the lower part after the injection process.

However, if space 13 is designed as a cavity, the moulded part required for this must be movable towards the centre of the axis so that the dial drum may be removed from the lower part without damage after the injection process.

PATENT CLAIMS:

1. Telephone station with a number switch, the operating part of which has the shape of a cylinder barrel as per patent 852400, characterised in that the widest point of the finger openings or trough-shaped recesses extend to the edge of the cylinder barrel.
2. Telephone station as per claim 1, characterised in that the dial drum is made of injectable insulating compound, such as polystyrene.
3. Telephone station as per claim 1, characterised in that the trough-shaped recesses towards the centre of the dial drum and towards the inside are semi-circular.
4. Telephone station as per claim 1, characterised in that the trough-shaped recesses are designed to have approximately equal walls.
5. Telephone station as per claim 1, characterised in that the space (13) between the two rows of finger openings or trough-shaped recesses (6, 7) is designed as a cavity.
6. Telephone station as per claim 1, characterised in that an intermediate wall (2) arranged below one of the rows of digits (7) divides the inside of the drum dial into two spaces of different sizes.
7. Telephone station as per claim 6, characterised in that the partition (2) has angled partition walls (8 to 11) in the area of the row of digits (7), by means of which a hollow space is formed below the row of digits (7).
8. Telephone station as per claim 1, characterised in that the digits of the dial drum are meant to be between the two rows of finger openings or trough-shaped recesses (6, 7).
9. Telephone station as per claim 8, characterised in that the digits are applied to the drum in colour or in fluorescent letters, or are placed in the recesses as per the respective digits, or are created using the multiple injection moulding process.

Attached 1 page with drawings

5645 1.53

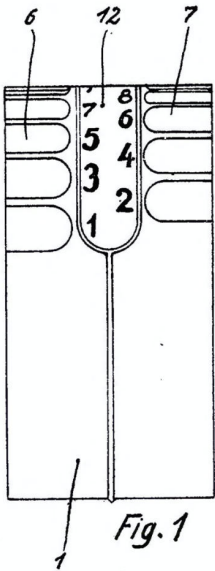


Fig. 1

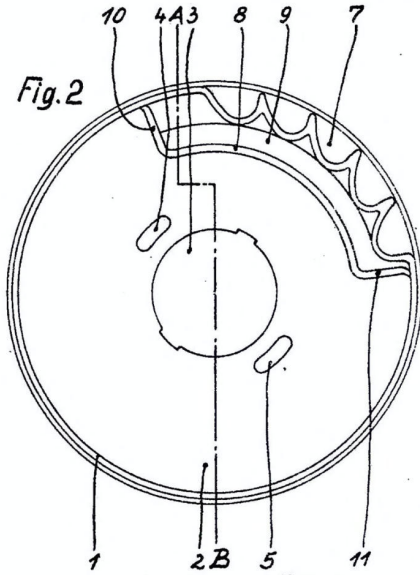


Fig. 2

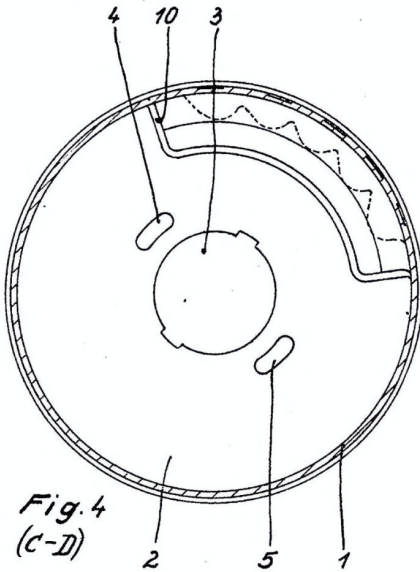


Fig. 4
(c-D)

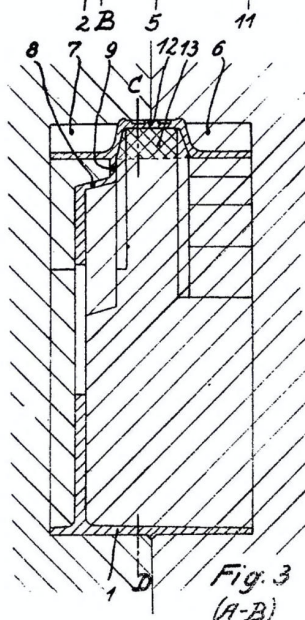


Fig. 3
(A-B)

~ II. Patents ~
07. German Patent Office, 04th December 1952.
The Interior's Design.

In this patent, Siemens focuses on a more detailed explanation of the conditions inside the Drum Dial.

Based on the height of the number pull switch, which is mounted with its casing in a vertical position in the front centre of the telephone inside a receptacle, this requirement results on the one hand in a certain height of the entire device, which also affects the height of the hood. On the other hand, this upright concept offers the possibility of building the entire arsenal in a compact and space-saving manner.

Similar to the number switch, the bell unit is also installed vertically. The horizontally framed bell shells protrude up to the number pull switch box and use the available horizontal space in a congenial way.

The base plate, which is quite small in relation to the number of indoor units, must accommodate all of these individual parts, but at the same time allow the components to remain clear and easily accessible.

When looking at the front of the assembled overall device (fig. 3), one can see that the need for the required space and the respective solution are wonderfully in line with the design ideas of an innovative design.

Here, one can already see what the real achievement of this overall concept is:

- a. an innovative, modern and trendsetting design,
- b. a compact, space-saving, light and therefore cheap construction,
- c. a new dialling system with a vertical operating mechanism



Patent Specification

Issued on the basis of the First Transition Act dated 8th July 1949
(WiGBl. p. 175)

FEDERAL REPUBLIC OF GERMANY



ISSUED ON
22ND JANUARY 1953

GERMAN PATENT OFFICE

PATENT SPECIFICATION

No. 864 106

CATEGORY 21a³ GROUP 16⁴⁰
S 22856 VIIIa/21a³

Bernhard Jörgensen, Berlin-Siemensstadt
has been stated as the inventor

Siemens & Halske Aktiengesellschaft, Berlin and Munich

Telephone station with number switch

Addition to patent 852 400

Patented within the area of the Federal Republic of Germany as of 22nd April 1951

The main patent started on 24th June 1949

The patent application was published on 15th May 1952

The granting of the patent was published on 4th December 1952

864 106 [page 2]

The patent 852 400 relates to a telephone station with a number switch, in which the operating part has the shape of a cylindrical barrel, which contains finger openings on a part of its circumference facing the user and is rotatable about an axis parallel to the base of the station.

The invention represents a further development of the arrangement as per the main patent, namely in that the height of the station is essentially determined by the number switch with a cylindrical operating element and a vertical magnetic system of the bell unit in the space behind the number switch, which is limited by the cylinder surface and the base plate, and the bell shells protrude into the space next to the number switch.

The invention achieves that regarding the height of the station, which is determined by the cylindrical number switch, only a relatively small base plate with clearly arranged and easily accessible components of the station is required. An exemplary model of the invention is shown in the drawing.

Fig. 1 shows the base plate of the station with the individual components from a top view;

Fig. 2 shows the station in section A-B with the station cap attached and without a handset;

Fig. 3 shows the front view of the station with a partially cut base plate and housing.

The base plate 1 has a box-like structure in the middle part with walls 2, 3, 4 and 5. The right wall 2 of the box-like structure is raised and semi-circular at the upper edge. There is only a very small gap between wall 2 and the side part of cap 7.

The left wall 4 with a horizontal upper edge extends only a little higher than the centre of the axis of the cylinder barrel 6. The left side of the housing cap 7 rests on the semi-circular housing 8 of the number switch. The stop 23 provides a seal between the front wall 3 and the cap 7, and the partition 24 of the cap 7 extends to the rear wall 5. When the cap 7 is in place, the built-in parts of the station are sealed so that a risk of dust settling on the inner parts is largely avoided.

The bell system is located behind the space determined by the cylindrical number switch. The bell shells 11, 12 are placed on a base 9, 10 of the base plate 1. A yoke 13 is mounted over the bell shells. This brace 13 carries the

alarm coils 14, 15 and the magnetic core 16. At the upper end of the magnetic core 16, a clapper bearing 17 is attached.

The bell shells 11, 12 protrude by about half of the diameter into the space next to the number switch. In addition to the number switch, the connection strip 18 and the induction coil 19 below it are arranged on the left-hand side. On the right-hand side of the number switch, a condenser 20 is attached.

If the requirement arises that the user of a station must be able to improve the respective speech intelligibility, then the station must be equipped with a button by which the control of the tools in question is initiated. Such a key 21 is arranged to the right of the number switch 6 and in front of the condenser 20.

As is commonly known, a grounding button is required for telephone stations with extension technology. In the present model, such a key 22 is provided to the left of the number switch 6 and in front of the connection strip 18.

PATENT CLAIMS:

1. Telephone station with a number switch, the operating part of which has finger openings for each digit and, following an elevating movement, which causes the delivery of a corresponding number of electric impulses upon returning as per patent 852400, characterised in that the height of the station is essentially determined by the number switch with a

cylindrical operating element and a vertical magnetic bell system, which is arranged in the space behind the number switch, and which is limited by the cylinder surface and the base plate, and only the bell shells protrude into the space next to the number switch.

2. Telephone station as per claim 1, characterised in that the bell shells (11, 12) are arranged with the opening facing towards the base plate (1).
3. Telephone station as per claim 2, characterised in that further components of the station are installed in the space on both sides of the cylindrical number switch (6).
4. Telephone station as per claim 3, characterised in that the connection strip (18) and choke coil (19) are arranged on one side of the cylindrical number switch (6) and that the condenser (20) is attached on the base plate (1) on the other side of the number switch (6).
5. Telephone station as per claim 4, characterised in that the choke coil (19) and the connection strip (18) are arranged one above the other.
6. Telephone station with buttons as per claim 3, characterised in that a number of buttons (21, 22) for initiating special switching operations are arranged on one or both sides of the number switch.

Attached 1 page with drawings

5645 1.53

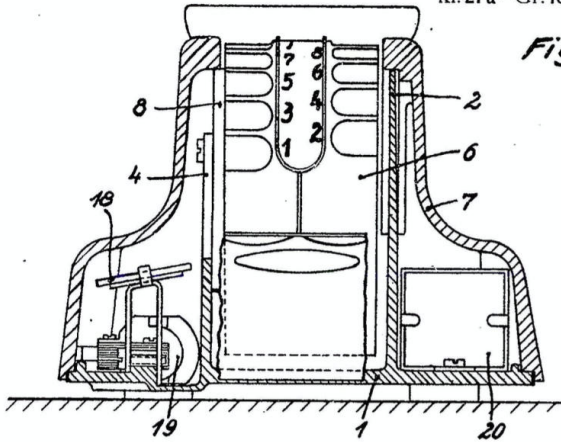


Fig. 3

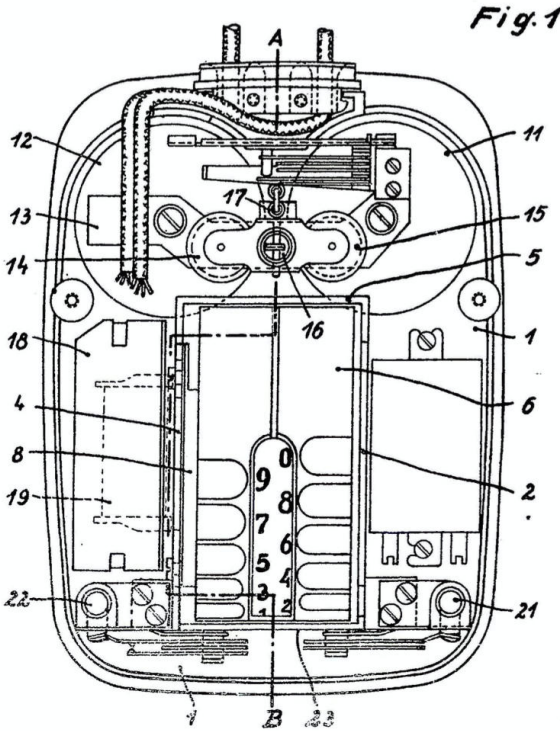
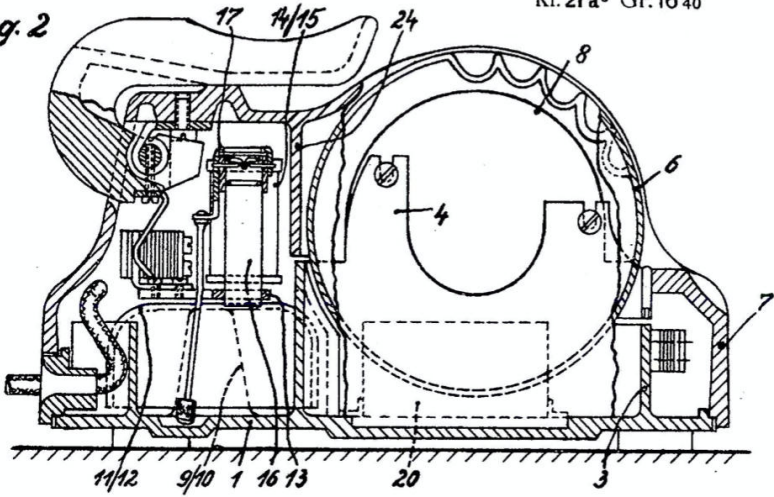


Fig. 1

Zu der Patentschrift 864 106
Kl. 21a³ Gr. 16⁴⁰

Fig. 2



~ II. Patents ~
08. German Patent Office, 04th December 1952.
The Interior's Design (Part 2).

Almost identical to the previous application as per internal book chapter no. 07, this patent focuses on a more detailed explanation of the conditions inside the Drum Dial. The focus here, however, is on the design of the hood (here referred to as a 'cap').

Based on the height of the number pull switch, which is mounted with its casing in a vertical position in the front centre of the telephone inside a receptacle, this requirement results on the one hand in a certain height of the entire device, which also affects the height of the hood. On the other hand, this upright concept offers the possibility of building the entire arsenal in a compact and space-saving manner.

Similar to the number switch, the bell unit is also installed vertically. The horizontally framed bell shells protrude up to the number pull switch box and use the available horizontal space in a congenial way.

The base plate, which is quite small in relation to the number of indoor units, must accommodate all of these individual parts, but at the same time allow the components to remain clear and easily accessible.

The patent at hand specifies the design of the hood and focuses on its positive aspects.

The hood has a cut-out in the front area, which is intended to accommodate the number pull switch.

What is special about the hood is that it functions independently from the rest of the device, i.e., the base plate with all units, and protects the inside from the effects of dust. When it is removed, the entire device is or remains ready for operation.

When looking at the front of the assembled overall device (fig. 3), one can see that the need for the required space and the respective solution are wonderfully in line with the design ideas of an innovative design.

Here, one can already see what the real achievement of this overall concept is:

- a. an innovative, modern and trendsetting design,
- b. a compact, space-saving, light and therefore cheap construction,
- c. a new dialling system with a vertical operating mechanism



Patent Specification

FEDERAL REPUBLIC OF GERMANY



ISSUED ON
22ND JANUARY 1953

GERMAN PATENT OFFICE

PATENT SPECIFICATION

No. 864 107

CATEGORY 21a³ GROUP 16⁴⁰

S 22857 VIIIa/21a³

Bernhard Jörgensen, Berlin-Siemensstadt
has been stated as the inventor

Siemens & Halske Aktiengesellschaft, Berlin and Munich

Telephone station with number switch

Addition to patent 852 400

Patented within the area of the Federal Republic of Germany as of 22nd April 1951

The main patent started on 24th June 1949

The patent application was published on 21st May 1952

The granting of the patent was published on 4th December 1952

864 107 [page 2]

The patent 852 400 relates to a telephone station with a number switch, in which the operating part has the form of a cylindrical barrel, which contains finger openings on a part of its circumference facing the user and is rotatable about an axis parallel to the base of the station.

The invention represents a further development of the arrangement as per the main patent, consisting of number switch being attached to the base plate with its cylindrical operating part and a cap with a cut-out as required for the number switch being placed on the base plate.

The invention achieves that in a table station as per the main patent, the individual components are operably arranged on the base plate of the station even when the housing cap is removed.

An exemplary model of the invention is shown in the drawing.

Fig. 1 shows the base plate of the station with the individual components from a top view;

Fig. 2 shows the station in section A-B with the station cap attached and without a handset;

Fig. 3 shows the front view of the station with a partially cut base plate and housing.

The base plate 1 has a box-like structure in the middle part with walls 2, 3, 4 and 5. The right wall 2 of the box-like structure is raised and semi-circular at the upper edge. There is only a very small gap between wall 2 and the side part of cap 7.

The left wall 4 with a horizontal upper edge extends only a little higher than the centre of the axis of the cylinder barrel 6. The left side of the housing cap 7 rests on the semi-circular housing 8 of the number switch. The stop 23 provides a seal between the front wall 3 and the cap 7, and the partition 24 of the cap 7 extends to the rear wall 5. When the cap 7 is in place, the built-in parts of the station are sealed so that a risk of dust settling on the inner parts is largely avoided.

The bell system is located behind the space determined by the cylindrical number switch. The bell shells 11, 12 are placed on a base 9, 10 of the base plate 1. A yoke 13 is mounted over the bell shells. This brace 13 carries the alarm coils 14, 15 and the magnetic core 16. At the upper end of the magnetic core 16, a clapper bearing 17 is attached.

The bell shells 11, 12 protrude by about half of the diameter into the space next to the number switch. In addition to the number switch, the connection strip 18 and the induction coil 19 below it are arranged on the left-hand side. On the right-hand side of the number switch, a condenser 20 is attached.

If the requirement arises that the user of a station must be able to improve the respective speech intelligibility, then the station must be equipped with a button by which the control of the tools in question is initiated. Such a key 21 is arranged to the right of the number switch 6 and in front of the condenser 20.

As is commonly known, a grounding button is required for telephone stations with extension technology. In the present model, such a key 22 is provided to the left of the number switch 6 and in front of the connection strip 18.

PATENT CLAIMS:

1. Telephone station with a number switch, the operating part of which has finger openings for each digit and, following an elevating movement, which causes the delivery of a corresponding number of electrical impulses upon returning, according to patent 852 400 characterised in that the number switch is fastened

onto the base plate with its cylindrical operating part and that a cap with a cut-out as required for the number switch is placed on the base plate.

2. Telephone station as per claim 1, characterised in that the number switch (6), with its cylindrical operating part, is fastened to a box-like structure of the base plate (1).
3. Telephone station as per claim 2, characterised in that the side walls (2, 3, 4 and 5) of the box-like structure in conjunction with the number switch housing (8) and inner cap contours form a closed space for the components of the station.
4. Telephone station as per claim 2, characterised in that the upper edge of one side (2) of the structure is semi-circular.
5. Telephone station as per claim 4, characterised in that the housing (8) of the number switch is fastened to the second side (4) of the structure with a straight upper edge.
6. Telephone station as per claim 5, characterised in that the housing (8) of the number switch (6) forms a closure with the housing cap (7).

Attached 1 page with drawings

5645 1.53

Fig. 1

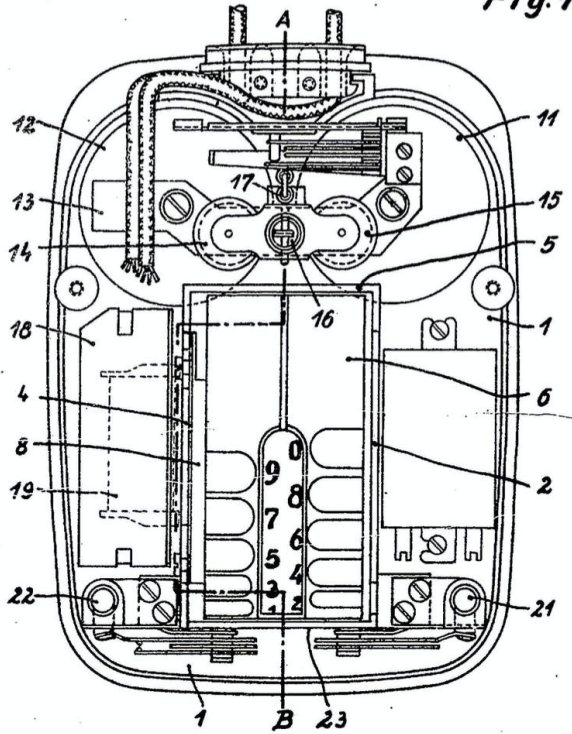


Fig. 2

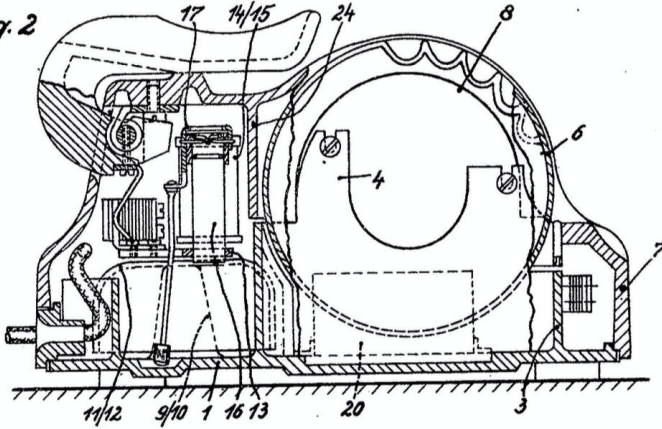
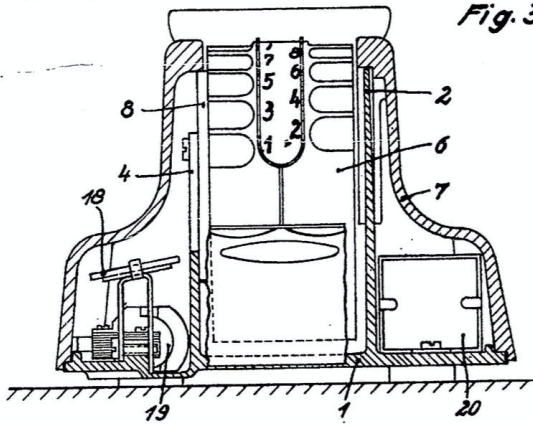


Fig. 3



~ II. Patents ~
09. German Patent Office, 19th February 1953.
The Design of the Ground Button.

One important part of the Drum Dial, and actually of any telephone within a private branch exchange, is the so-called ground button (here: push button).

A ground button (see also Vol. No. 1, glossary, p. 85) is primarily intended for forwarding incoming calls to another participant within the extension network (all other functions, see glossary, see above).

The inclusion of such a button (always on the left side of the device, unlike the loud / low button, which is always on the right when present) requires a compact design in order to fit into the overall design of the drum selector.

The presentation of the patent is difficult to understand for a non-technician or an ordinary person, but the complex, predominantly technical description of the button demonstrates just how complex such a telephone device is overall.



Patent Specification

FEDERAL REPUBLIC OF GERMANY



ISSUED ON
19TH FEBRUARY 1953

GERMAN PATENT OFFICE

PATENT SPECIFICATION

No. 867 701

CATEGORY 21a² GROUP 27⁰⁴

S 23074 VIIIa/21a²

Bernhard Jörgensen, Berlin-Siemensstadt and
Albert Geese, Berlin-Spandau
have been stated as the inventors

Siemens & Halske Aktiengesellschaft, Berlin and Munich

Push button, in particular for telephone desk stations

Patented within the area of the Federal Republic of Germany as of 10th May 1951
The patent application was published on 26th June 1952
The granting of the patent was published on 8th January 1953

The invention relates to a push button, in particular for telephone stations, and aims to keep the production costs of the push button with a small overall height as low as possible. As per the invention, this is achieved through the stroke of the key button being restricted upwards by opposing the button on a key bracket and downwards by resting the key button on a metal plate guided in a slot of the key button and resting on the bracket.

The invention ensures that when assembling the individual parts of the push button, only the key top is pushed into the bracket and the positioning of the key top is to be secured by inserting the metal plate into the slot of the key top. The height of the push button is essentially dependent on the mounting bracket, which in turn is dependent on the stroke. Furthermore, the arrangement creates the prerequisite that the components of the loose push button may also be used for a

button that is locked in the working position with a slight change in the holding angle.

Exemplary models of the invention are shown in the drawing.

Fig. 1 shows a loose push button from a front view,

Fig. 2 shows a section of the key as per fig. 1,

Fig. 3 shows the top view of the push button, and

Fig. 4 shows the section A-B indicated in fig. 2, through which the position of the metal plate in the slot of the key button and on the lower leg of the key bracket can be clearly seen;

Fig. 5 shows the change in the key holding angle for a key which is fixed in the working position.

A U-shaped bent bracket with a central bar 1 and two legs 2 and 3 is used as a key support. Most of the bar 1 and the lower leg 3 feature a slot 4.

867 701 [page 2]

Furthermore, the lower leg 3 has a cut-out 8, which is adapted to the key body 6. The upper leg 2 of the bracket has a guide bushing 7 for the button key 6. The button key 6 features an actuating nose 5. This actuating nose 5 is guided into the slot 4 of the key holder bracket. The actuating nose 5 rests against the upper edge of the slot 4, and the key drop is thus limited upwards. The

lower end of the button key 6 features a slot 9. This slot 9 serves to counter-position and guide the inserted plate 10, which rests on the lower leg 3 of the key holder bracket. The inserted metal plate 10 has retaining lugs 11, 12, 13 and 14, which rest against the circumference of the button key 6. The retaining lugs prevent the metal plate from extending out of the slot 9 of button key 6.

The lower end of the button key 6 has a hole 20. A spiral spring 15 is inserted into this hole 20. One end of the spring 15 rests in the bottom of the hole 20 and the other end of the spring rests on the inserted metal plate 10.

A number of through holes 16, 17 for fastening the screws are placed in the lower leg 3 of the U-shaped bent bracket. The central bar 1 of the button bracket is extended to attach the horizontally placed contact spring set 18.

The button key 6 is expediently produced from injection-moulded insulating material, so that only one single operation is required for the production of the button key.

For the assembly of the push button it is only necessary to insert the button key 6 through the recess 8 of the lower leg 3 and through the guide bush 7, and after pressing the spring 15, the plate 10 is pushed into the slot 9 of the button key 6 and into the position shown in fig. 4. The spring set 18 is then adjusted, and the push button is thus prepared for installation in the station. The assembly of the push button can thus be carried out at a low cost.

In the resting position of the push button, the actuating lug 5 rests on the upper edge of the slot 4 on bar 1. When the button key 6 is pressed, the actuating lug 5 slides down into the slot 4. The spring 15, which is pushed into the hole 20 of the button key 6, and which rests on metal plate 10, is compressed. The actuating lug 5 causes the contact springs of the contact spring set 18 to be switched over. The button key 6 is moved downward until the bottom of the slot 9 in the key body 6 rests on the upper edge of the inserted metal plate 10. The downward stroke of the push button is therefore limited by the inserted metal plate 10 and the bottom of the slot 9 in the button body 6.

The overall height of the push button is essentially determined by the U-shaped bracket, which in turn only depends on the required stroke and the very short length of the actuating nose 5.

The model illustrated in fig. 1 to 4 is designed for so-called loose buttons, which are brought back into the resting position after pressing on spring 15. With little effort, the components described lead to the push button being held in the working position after it is pres-

sed. For this purpose, it is only necessary to expand slot 4 into the bar 1 of the key bracket according to fig. 5, so that the actuating nose 5 of the pressed button key 6 may be pressed into the extension 19, whilst the upper edge of the actuating nose 5 is against the upper edge of the slot extension 19 and thus the button key 6 is prevented from going up into the resting position. The release of the push button held in the working position is initiated by turning the button 6 slightly to the left. After the button key 6 has been rotated, the actuating lug 5 is guided back into the slot, and the button key 6 can now slide upward until the upper edge of the actuating lug 5 rests against the upper edge of the slot 4.

PATENT CLAIMS:

1. Push button, in particular for telephone stations, characterised in that the stroke of the button key (6) is limited upwards by backing the button on a button bracket and downwards by resting the button key (6) on a metal plate (10) situated in a slot (9) of the button key (6) and resting on a bracket.
2. Push button as per claim 1, characterised in that a U-shaped bent bracket is placed in a bar (1) between two legs (2, 3) and one lower leg (3) with a slot (4) for guiding an actuating lug (5) for button (6).
3. Push button as per claim 2, characterised in that the upper edge of the slot (4) limits the upward stroke of the button (6).
4. Push button as per claim 2, characterised in that a guide bushing (7) for the button key (6) is inserted in the upper leg (2) of the U-shaped retaining bracket.
5. Push button as per claim 2, characterised in that the lower leg (3) of the U-shaped holding bracket has a cut-out (8) adapted to the button (6).
6. Push button as per claim 2, characterised in that the lower end of the button key (6) features a slot (9) for the counter-positioning and guidance of the metal plate (10) inserted and resting on the lower leg (3) of the U-shaped bracket.
7. Push button as per claim 6, characterised in that the inserted metal plate (10) features retaining lugs (11, 12, 13, 14), which rest against the extent of the button key (6).
8. Push button as per claim 6, characterised in that the upper edge of the inserted metal plate (10) and the base of the slot (9) in the button (6) limit the movement of the pressed button (6).
9. Push button as per claim 2, characterised in that the button key (6) has a hole (20) at the lower end for receiving a return spiral spring (15).
10. Push button as per claims 6 and 9, characterised in that the spring (15), which lies in the bottom of the hole (20) has a counter-position on the inserted metal plate (10).
11. Push button as per claim 2, characterised in that through holes (16, 17) for fastening the push button to a base plate of a station are inserted in the lower leg (3) of the U-shaped bracket.
12. Push button as per claim 2, characterised in that the bar (1) of the bracket is extended for fastening a horizontally placed contact spring set (18).

13. Push button as per claim 2, characterised in that the button key (6) is made from injection-moulded insulating material.
14. Push button as per claim 2, characterised in that the slot (4) in the bar (1) of the bracket is

widened in such a way that the actuating nose (5) of the pressed key button (6) is screwed into the extension (19) and held in the pressed position.

Attached 1 page with drawings

5712 2.53

Fig. 1

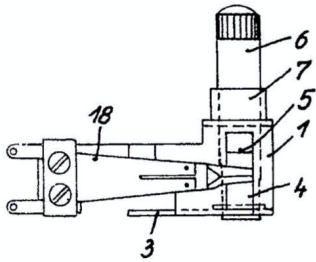


Fig. 2

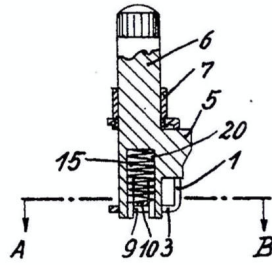


Fig. 3

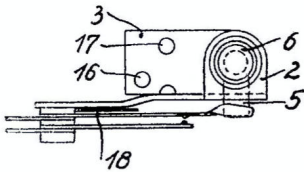


Fig. 4

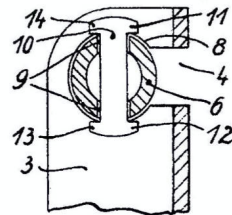
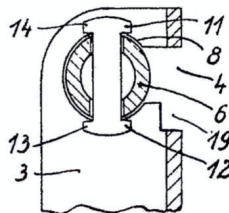


Fig. 5



~ II. Patents ~
10. German Patent Office, 20th March 1953.
The Handset and the Cradle.

This patent introduces the now vertical receiver of the Drum Dial, which in patent no. 02 was still supported transversely.

The lower speaking part of the “handset”, i.e. the receiver, still appears in a slightly different form compared to the listening element at the top of the receiver.

Apparently, they wanted to adjust this area of placement onto the hood. This receiver form has not caught on, as later the design is the same at the top and bottom of the receiver.

The contact spring set is shown in detail within and below the receiver cradle (called the support body here). With its somewhat futuristic design, the shell is adapted to the modernist shape of the housing and it should be possible to operate it without “frictional forces”.

The receiver is securely stored and cannot slip off, since the receiving shell has a rounded and raised edge.

By hanging up the phone, the connection is interrupted or terminated. When picking it up again, the connection is opened, the tilting effect of the shell controls the “contact spring set” below the hood (described in detail as part of the patent).

When the receiver is on the shell, it forms an optical unit with the device without the “contact” or the receiver protruding beyond the lateral boundaries of the entire telephone unit.

This is a particularly striking feature of the Drum Dial, both in terms of design and technology, and remains unique to date.



Patent Specification

FEDERAL REPUBLIC OF GERMANY



ISSUED ON
20TH APRIL 1953

GERMAN PATENT OFFICE

PATENT SPECIFICATION

No. 874 156

CATEGORY 21a² GROUP 20₀₁

S 23054 VIIIa/21a²

Bernhard Jörgensen, Berlin-Siemensstadt
has been stated as the inventor

Siemens & Halske Aktiengesellschaft, Berlin and Munich

Telephone desk station with a handset positioned lengthways above the number switch

Patented within the area of the Federal Republic of Germany as of 9th May 1951
The patent application was published on 14th August 1952
The granting of the patent was published on 12th March 1953

The invention relates to a telephone desk station with a handset positioned lengthways above the number switch. The aim of the invention is to transfer the switching process initiated by picking up or putting down the handset onto the contact spring set provided for this purpose without having to overcome greater frictional forces in telephone desk stations of the aforementioned type by securely putting down the telephone side of the handset. This is achieved by adapting the supporting body used for the telephone side of the handset to the shape of the telephone housing, and by rotatably mounting it on a horizontal axis, and by having a set of contact springs, which is controlled through the rotation of the

supporting body under the housing cap, whilst performing the station switchovers.

As a result of the invention, the handset is safely supported by the supporting body, and only the small forces occurring in the bearing points of the rotatable shaft have to be overcome in terms of frictional forces.

An exemplary model of the invention is shown in the drawing.

Fig. 1 shows a section of the telephone desk station;

Fig. 2 shows a top view of the station with the handset removed;

874 156 [page 2]

Fig. 3 shows the contact spring set controlled by the supporting body in its working position (the handset has been removed);

In contrast, Fig. 4 depicts the rest position (the handset is on the hook).

The bell shells 4, 5 are mounted on the bell columns 1, 2 of the base plate 3. The yoke 6, which is arranged above these, carries the spring set 7 with the actuating springs 8, 9 and 10 (Fig. 3 and 4). The two springs 9, 10 are attached to the bracket 11. The bracket 11 also carries the contact spring set 7. The spring controlled by the contact actuation lever 12 consists of the two parts 8

and 10. One part 8 is made of spring material and has a cut-out 13 at its free end, which is used to hold the second part 8. This second part 8 is made of non-resilient material. In the cut-out 13 of the first spring part 10 there protrudes a tab 14 of the second part 8. The second part 8 has an angled tab 15 with a cut-out 16 for the first spring part 10. Over this spring part 10, part 8 is pushed and only held in place through two angled tabs 14, 15.

Part 8 features a contact actuation lever 12 at the free end the point of application. The contact actuation lever 12 is screwed to the support body 18 below axis 17 for the telephone side of the handset (fig. 1). The screw 19

used for this engages in a thread of axle 17, so that this one screw not only connects the actuating lever 12 to the supporting body 18, but also fixes the axle 17 to the supporting body 18 at the same time. The horizontally placed axis protrudes on both sides of the supporting body 18, and these protruding ends are rotatably arranged in an axis clamp 20 with the two bearing points 21, 22. The bearing bracket 20 is connected to the housing cap 24 by a screw 23. Furthermore, the bearing bracket 20 has two guide pins 25, 26, which engage in recesses in the housing cap 24 and thus prevent the axle bearing from rotating.

The supporting body 18 placed on the axis 17 is guided through an opening 27 in the rear wall of the housing cap 24 and is then angled in such a way that the contact point of the telephone side of the handset 28 is situated in front of the axis 17 of the supporting body 18. The supporting body 18 is pulled up so high on the front edge 29, that it reliably prevents the handset 28, which is mounted diagonally above the number switch 30, from slipping. In the design of the side walls, the supporting body 18 is also largely adapted to the shape of the telephone side of the handset 28. The base of the supporting body 18 also approximately follows the shape of the phone front.

The side walls of the supporting body 18 may have recesses, which allow the handset 28 to be placed on the supporting body 18 transversely to the table station.

The housing cap 24 features a circular raised part 31. When the handset 28 is in place, the supporting body 18 rests against this elevation and forms the stop for the rotary movement of the supporting body 18.

The end of the supporting body 18 carrying the axis 17 has two lugs 32, 33, which, in the working position of the support body 18 (the handset 28 is removed), rest against the axle clamp 20 and thus a stop is present in the opposite direction of rotation.

In the rest position of the supporting body 18, i.e. with the handset 28 in place, the spring part 8 will assume the position shown in fig. 1 as a result of the actuating lever 12. There is a gap between the actuating spring 9 and

the insulating pin 34 of the contact spring set 7 (fig. 3 and 4).

If the handset 28 is removed, the supporting body 18 executes a rotary movement as a result of the spring force of the two springs 9, 10. During this rotary movement, and after bridging the gap between the spring 9 and the insulating pin 34, the spring set 7 is brought into the working position. Once this working position has been reached with certainty, the spring 9 stops and the two-part spring 8, 10 is moved further until the spring part 8 reaches the stop 35. This position of the spring set 7 with the springs 8, 9 and 10 is shown in fig. 3. Here it can be seen that there is a gap between spring 9 in the working position of the spring set 7.

Once the handset is put down (fig. 4) and thus the supporting body 18 is rotated about the axis 17, the actuating arm 12 will lift the spring part 8 from the stop 35 and move it towards the rear wall of the station. During the first part of this movement, the spring set 7 is not actuated, only upon the receding spring part 10 reaching the spring 9 does the pin 34 follow the movement of the spring 9 and cause the spring set 7 to switch over. The spring 8 still performs a short movement so that the gap between the pin 34 and spring 9 is restored. In the rest position of the spring set, the contact springs of the normally open contacts are in a relaxed position.

The carrier 11 for the springs 8, 9 and 10 is also used as a carrier for the contact spring set 7. The stop 35 of the spring part 8 is also part of the carrier 11.

PATENT CLAIMS:

1. Telephone desk station with a handset mounted lengthways above the number switch, characterised in that the supporting body (18), which serves to support the telephone side of the handset, is adapted to the shape of the telephone housing and is rotatably mounted on a horizontal axis (17) and is supported by the rotary movement of the supporting body (18), whilst a controlled contact spring set underneath the housing cap (24) facilitates the station switchovers.

874 156 [page 3]

2. Telephone station as per claim 1, characterised in that the contact point of the telephone side of the handset (28) in the supporting body (18) is placed in front of the axis (17).
3. Telephone desk station as per claim 1, characterised in that the supporting body (18) provided with the axis is guided through an opening (27) in the rear wall of the housing cap (24).
4. Telephone desk station as per claim 1, characterised in that the housing cap (24) has a lug (31) for limiting the rotary movement of the supporting body (1) when the handset (28) is in place.
5. Telephone station as per claim 1, characterised in that the side walls of the supporting body

(18) have recesses for a transverse position of the handset (28).

6. Telephone desk station as per claim 3, characterised in that the axis (17) is fixedly mounted within the supporting body (18).
7. Telephone desk station as per claim 6, characterised in that the axle (17) is fixedly supported by a screw (19), by means of which the contact actuation lever (12) is also connected to the supporting body (18).
8. Telephone desk station as per claim 6, characterised in that the ends of the axle (17) protruding on both sides of the supporting body (18) are mounted in a clamp (20).
9. Telephone desk station as per claims 3 and 8, characterised in that the supporting body, with

the clamp (20) pushed onto the axis (17), is inserted through the opening (27) in the rear wall of the housing cap (24).

10. Telephone desk station as per claim 8, characterised in that the clamp (20) of the axle (17) is fastened to the housing cap (24) with a screw (23) and is secured against rotation by guide pins (25, 26).
11. Telephone desk station as per claim 3, characterised in that the supporting body (18) featuring the axis (17) is provided with stop lugs (32, 33) to limit the rotational movement of the supporting body (18) when the handset is removed.
12. Telephone desk station as per claim 11, characterised in that the stop lugs (32, 33) of the supporting body (18) go to a counter-position on the clamp (20) of the axle (17) when the handset is removed.
13. Telephone desk station as per claim 7, characterised in that the contact actuation lever (12) fastened to the supporting body (18) controls a two-part spring (8, 10), with the one part (10) consisting of spring material being fixedly mounted at one end, whilst featuring a cut-out (13) for holding the second, merely pushed-on part (8), which is made of non-resilient material, at the free end.
14. Telephone desk station as per claim 13, characterised in that an angled tab (14) of the second part (8), which protrudes beyond the free end of the first part (10), is inserted into the cut-out (13) of the first spring part (10).
15. Telephone desk station as per claim 14, characterised in that the pushed-on second part (8) has an angled tab (15) with a cut-out (16) for the first spring part (10).
16. Telephone desk station as per claim 13, characterised in that in the working position of the supporting body (18) (handset removed), between the two-part spring (8, 10) and the actuating spring (9) of the actuating pin (34) passed through a section of the two-part spring (8, 10), there is a gap, so that the actuating spring (9) of the pin (34) only performs the stroke required for the spring set (7).
17. Telephone desk station as per claim 16, characterised in that in the working position of the support body (18) (handset removed) the two-part spring (8, 10) rests against a stop (35) on the support (11) of the two-part spring (8, 10), which, at the same time, is used as a contact spring set carrier.

Attached 1 page with drawings

5869 4.53

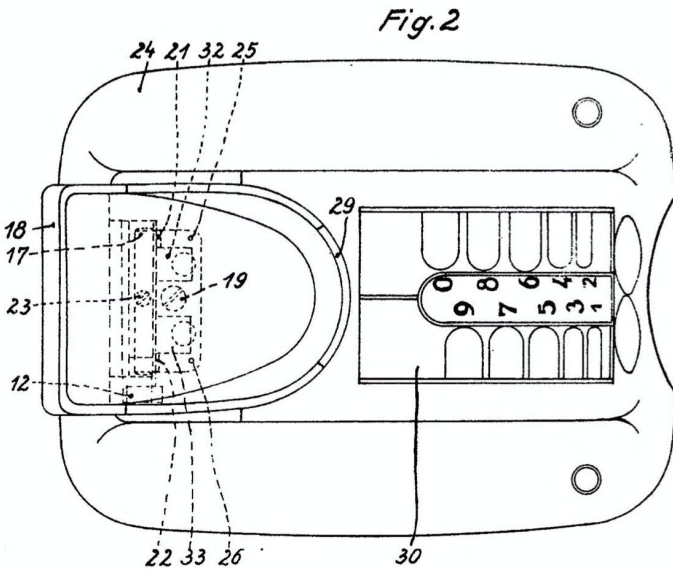
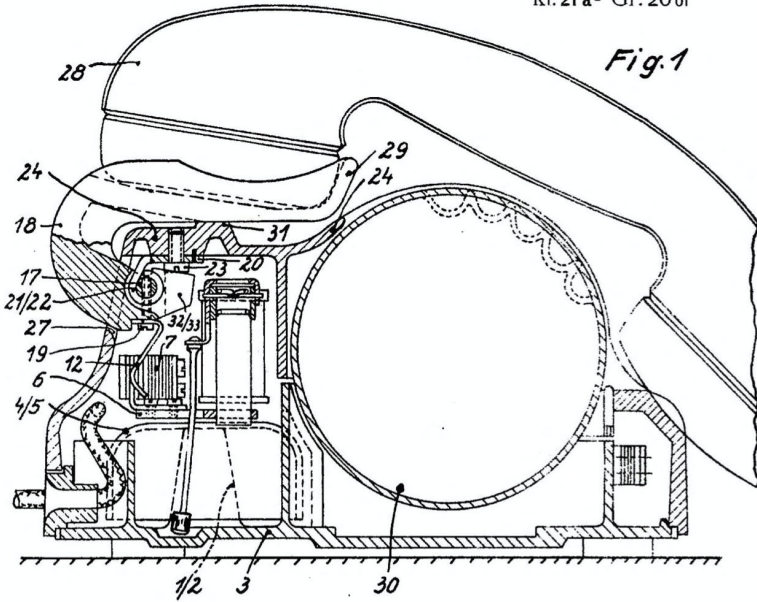


Fig. 3

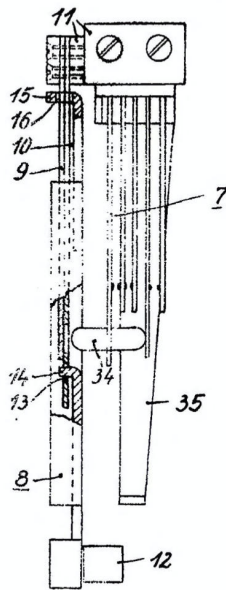
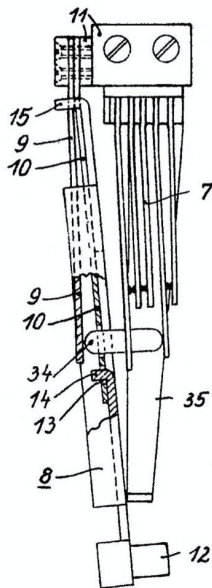


Fig. 4



~ II. Patents ~
11. German Patent Office, 02nd April 1953.
The Bell System.

The bell system presented in this patent is another example of how a compact telephone can be constructed in such a way that every corner of the available space can be used to save space. The brackets for the individual units in the drum selector are precisely geared towards this premise.

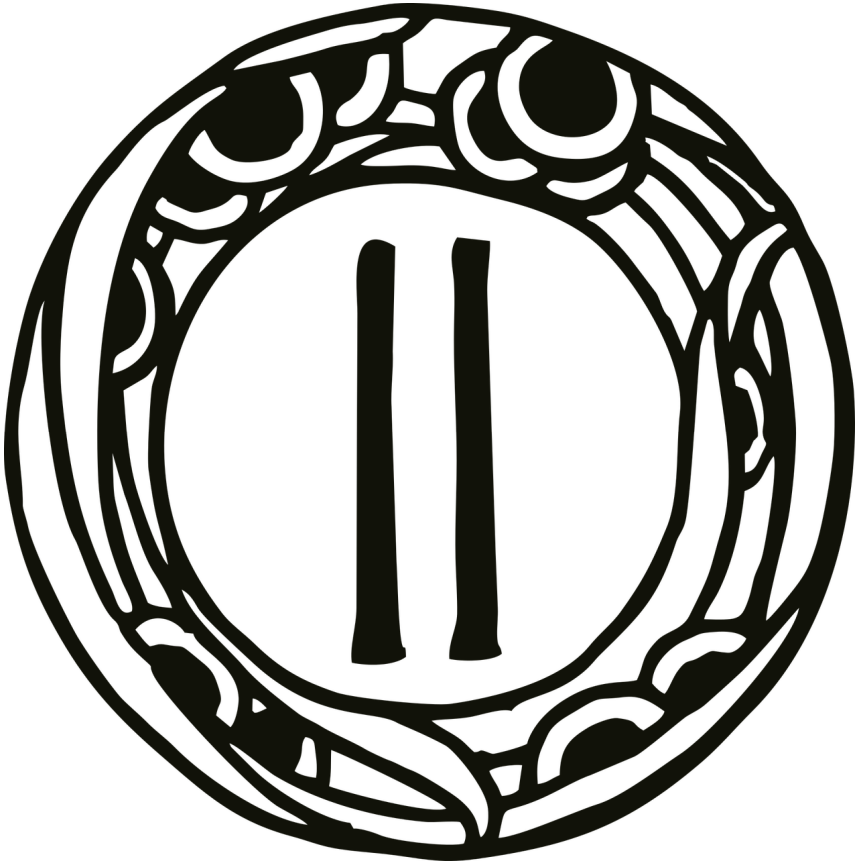
The magnetic yoke of the bell ensemble, which is placed vertically in the rear area of the Drum Dial behind the number switch, is placed on the horizontally embedded bell shells, so it uses the area above the shells.

At the same time, the bell system on the rear side of the bell unit, as seen from the front, carries the contact spring set, which takes on part of the "contact function" and converts the up and down movement of the receiver into electrical contacts for opening or ending calls.

The ball of the bell unit sits vertically between the horizontal bowls and provides the differently designed bell shells with the necessary vibration to sound the alarm tone.

The difference between the two shells lies in the respective screw opening located at the top center of the shells:

One shell has a rectangular, the other a round screw hole. This results in different sound patterns, which work together to create the typical Drum Dial sound.



Patent Specification

FEDERAL REPUBLIC OF GERMANY



ISSUED ON
18TH MAY 1953

GERMAN PATENT OFFICE

PATENT SPECIFICATION

No. 876 706

CATEGORY 21a² GROUP 20⁰¹

S 22858 VIIIa/21a²

Bernhard Jörgensen, Berlin-Siemensstadt and
Albert Geese, Berlin-Spandau
have been stated as the inventors

Siemens & Halske Aktiengesellschaft, Berlin and Munich

Telephone desk station

Patented within the area of the Federal Republic of Germany as of 22nd April 1951
The patent application was published on 14th August 1952
The granting of the patent was published on 2nd April 1953

874 156 [page 2]

The invention relates to a telephone desk station with a vertical bell system. In such stations, the individual components are to be attached to a base plate. For this purpose, special carriers are required for the individual components. The aim of the invention is to make this carrier as simple as possible with a most favourable use of space. This is achieved as per the invention in that the magnetic yoke of a vertical bell system is placed on the bell shells and at the same time used as a carrier for the contact spring set for station switching.

What is achieved by the invention is that the magnet yoke, including the contact spring set carrier, can be produced in one operation. In addition, the space above the bell shells is largely used by the spring set and the bell coils, and the contact spring set is kept at a distance from the base plate intended for the bell shells and the magnetic yoke without the need for any special tools, so that only a short lever transmission between the rotatably mounted handset carrier and the actuating spring of the horizontally placed contact spring set is required.

An exemplary model of the invention is shown in the drawing.

Fig. 1 shows the base plate of the station with its individual components in plan view;

Fig. 2 shows the station in section A-B with the station cap attached and without a handset;

Fig. 3 shows the station also in plan view, but with the cap on.

The base plate 1 has a box-like structure in the middle part with the walls 2, 3, 4 and 5. The right wall 2 of the box-like structure is drawn up and semi-circular at the upper edge. There is only a very small gap between the wall 2 and the side part of the cap 7.

The left wall 4 with a horizontal upper edge extends only a little higher than the centre of the axis of the cylinder barrel 6. The left side of the housing cap 7 rests on the semi-circular housing 8 of the number switch. The stop 23 provides a closure between the front wall 3 and the cap 7, and the intermediate wall 24 of the cap 7 extends up to the rear wall 5.

The bell system is located behind the space determined by the number switch. The bell shells 11, 12 are placed on the base 9, 10 of the base plate 1. A yoke 13 is mounted above the bell shells 11, 12. The clapper bearing 17 is attached to the upper end of the magnetic core 16.

The magnet yoke 13 and the bell shells 11, 12 underneath have through holes for the fastening screws 26,

27, which are screwed into the sockets 9, 10 of the base plate 1.

For the attachment of the coil cores of the bell coils 14, 15 and for the attachment of the magnet 16, the magnet yoke has holes into which the cores or the magnet are pressed. The magnet yoke 13 has a tab at one end, which is at a right angle to the common axis of the two bell coils and has threaded holes. The screws 28, 29 are screwed into these threaded holes and thus the horizontally placed contact spring set 25 is screwed tight. The bell coils 14, 15 and the contact spring set 25 are placed parallel to one another over the two bell shells 11, 12.

By tightening the two screws 26, 27, the complete bell system, including the complete contact spring set 25 for station switching, is attached to the base plate.

The magnet yoke 13 has a lug at the other end, which extends beyond the fastening screw 27, and to which the two cords 30, 31 of the telephone station are fastened. It can be attached using special cord clamps or a tie-off thread.

PATENT CLAIMS:

1. Telephone desk station with a vertical alarm system, characterised in that the magnetic yoke of the vertical bell system is placed on the bell shells and at the same time used as a carrier for the contact spring set for switching between stations.

2. Telephone desk station as per claim 1, characterised in that the magnetic yoke (13) and the two bell shells (11, 12) below have through holes for those screws (26, 27) which are screwed into the sockets (9, 11) of the base plate (1).
3. Telephone station as per claim 2, characterised in that the magnet yoke (13) has holes for holding the coil cores of the bell coils (14, 15) and the magnet (16).
4. Telephone desk station as per claim 1, characterised in that the magnet yoke (13) has a tab which is perpendicular to the common centre line of the two magnet coils (14, 15) and to which the horizontally placed contact spring set (25) for switching between stations is attached.
5. Telephone desk station as per claim 4, characterised in that the two magnet coils (14, 15) and the contact spring set (25) are arranged parallel to one another above the two bell shells (11, 12).
6. Telephone desk station as per claim 1, characterised in that one end of the magnetic yoke (13) has a lug projecting beyond the fastening point (screw 27) for fastening the apparatus cords (30, 31).

Attached 1 page with drawings

5001 5.53

Fig. 2

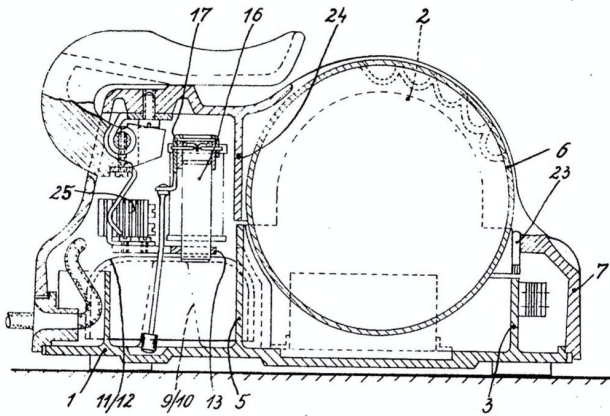


Fig. 1

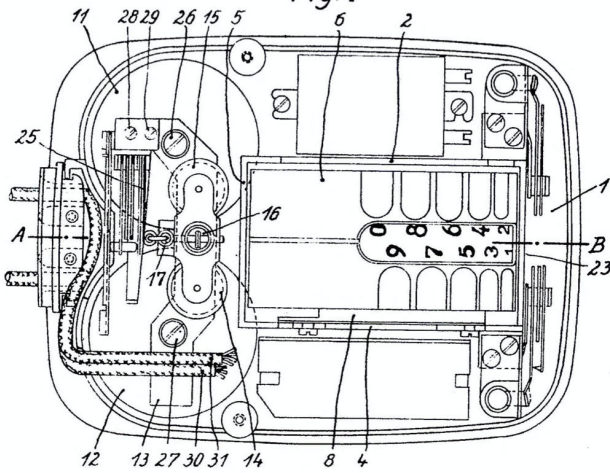
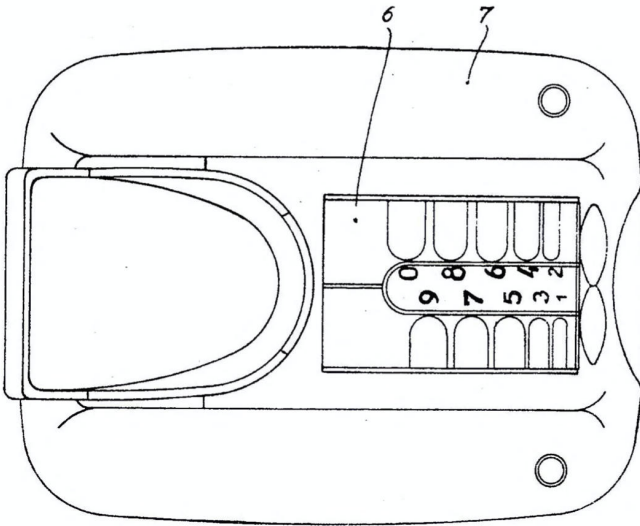


Fig. 3



~ II. Patents ~

12. German Patent Office, 18th June 1955. A Display Device for the Pull Number Switch.

This patent refers to an idea of the designers to offer a numeric display in the front area of the hood, on which the dialled digits or the dialled phone number is to appear.

It is reminiscent of similarly constructed display variants, which we know from, for example train stations and airports, where one would see dials scrolling down one after another. The numbers were shown individually on small plates and the respective setting process was shown in a sequence of folded labels.



Image 04

The focus of this patent was to be placed on an inexpensive and simple solution, since there had already been other, more complex and therefore more expensive technical solutions.

On a "common axis there [are, added by the author] spirally wound bands", which allow the dialled digits to be guided past behind a window in the front area of the hood.

The idea anticipates our current display systems on telephones, which have shown the dialled number and of course much more, such as incoming phone numbers, for many years.

It is to be assumed that this solution, which was actually patented, was never used, at least I have not come across any such solution in other telephones, and certainly not with a Drum Dial.

The solution was probably not that practical for large-scale use, as it was prone to errors and repairs.

Ultimately, one really had to think carefully about whether such gadgets really made sense, especially with costs having to be reduced at the time of implementation in the 1950s.



Patent Specification



ISSUED ON
13TH JUNE 1955

GERMAN PATENT OFFICE

PATENT SPECIFICATION

No. 928 899

CATEGORY 21a³ GROUP 6201

5 36618 VIIIa/21a³

Walter Paul, Munich and Wilhelm Eissfeldt, Munich
have been stated as the inventors

Siemens & Halske Aktiengesellschaft, Berlin and Munich

Telephone number display mechanism for telephone stations

Patented within the area of the Federal Republic of Germany as of 5th December 1953

The patent application was published on 18th November 1954

The granting of the patent was published on 18th May 1955

The invention relates to a display device driven by the number switch for the dialled number at telephone stations. There are already known arrangements, in which a pointer or a dial coupled to the number switch moves along with each lifting of the number switch and remains on the dialled digit until the next lift. In other arrangements, several dials are set and locked via gears, according to the dialled phone number, and returned to the starting position with return springs after unlocking. The known devices either only show the last dialled digit and thus do not fully meet the requirements placed on them, or they require a large number of individual parts, which in turn makes the system disproportionately expensive. In addition, such a large space is required for installing the display device, that this is usually not available.

The invention aims to create a simple and inexpensive display device for telephone stations while avoiding the disadvantages of the known arrangements and achieves this in that resilient bands, which are spirally wound one after the other onto a common axis, and which are arranged in a housing behind a window, serve as a carrier for the respective digits, which one after the other, travel a distance corresponding to the selected digits and are locked in this position, from which they are unlocked when the display is cleared by a common link to return to the starting position due to their own tension.

In the drawing, a model of the display device is shown.

928 899 [page 2]

Fig. 1 shows a sketch of the device. The resilient number bands 2 are arranged next to one another in the form of spirals on the axis 8 and their inner ends are attached to the axis 8. The axis 9, on which the drum 1 is rotatably arranged, runs parallel to the axis 8. This has a groove on its circumference parallel to the axis 9, into which that resilient number band 2 engages with its hook-shaped bent end 2_a, which is pushed up by the spring 3 assigned to it. Each band 2 carries a pin 2_b, which in the initial state on the crank 3_a, is assigned to the next laterally offset band. The rail 4 serves as a stop piece to prevent the bands from being lifted upwards. The bands 2 have recesses 2_c, which are assigned to the individual digits, and the base plate 6 with nose-shaped counterparts 5 for locking the bands. The contact piece 7 located on the

lugs 5 is used for unlatching. It is moved by a lever arm 7_a and collectively lifts the bands out of the area of the lug. In the area of the viewing window 12, the number bands are guided over a curved guide piece 11;

Fig. 2 shows a telephone station with a pull number switch in side view;

Fig. 3 shows the station as depicted in fig. 2 in a front view with the handset removed.

The operation of the device is as follows: When the drum 1, designed as a pull number switch, is lifted, the first digit band 2, which is pushed up by the crank 3_a of the leaf spring 3 assigned to it and hooked into the groove 10 of the drum 1 with its hook-shaped end 2_a, is taken along. The band 2 is pulled past the window 12 of

the housing, with its part bearing the numbers, namely over the curved guide piece 11. At the end of the lifting movement, the band engages with the recess 2_c assigned to the selected number in the nose 5 of the base plate 6. When the drum 1 rotates backwards, the end 2_d of the locked band slides out of the groove 10 and falls onto the resting surface 13. The selected number is shown in window 12. The pin 2_b of the band set in this way, which in the starting position rested on the crank 3_a of the leaf spring assigned to the next band and had blocked it, slides off the crank 3_a when the band 2 is lifted and thus releases this spring, so that the band 2 is prepared and when the drum 1 is next lifted, pushed up by the crank 3_b offset by a bandwidth, thus engaging the groove 10. Band 2 is set in the same way and the second digit appears in window 12. After the pin 2_b has slipped off the spring assigned to the next band, it is ready for setting, etc. At the end of the entire dialling process with the number switch, the dialled number is displayed in window 12. At any point in time, a switching piece 7 that acts jointly on all bands is raised, for example at the end of the conversation, by the hook switch, via the lever arm 7_a, and lifts all bands out of the detent in one go. The bands move back automatically to their original position as a result of the spiral that acts like a clock spring. Since no pin is pressing on the crank 3_a of the leaf spring 3 assigned to the first band 2, this band is immediately ready for adjustment again.

The display device is illustrated and described for a telephone station with a pull number switch, with the pull number switch simultaneously taking over the function of the drum 1, which is a particularly useful application of the invention. However, the invention is not restricted to this exemplary model. An installation in a station with a finger disc acting as a number switch element is also possible, with the movement of the number switch being transmitted to the drum by a suitable intermediate element, for example a bevel gear.

PATENT CLAIMS:

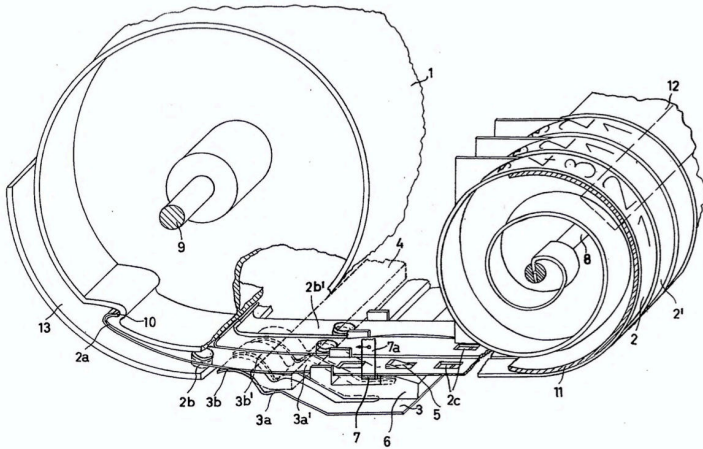
1. Display device for the dialled telephone number at telephone stations driven by the number switch, characterised in that resilient bands, which are wound spirally next to each other on a common axis and are arranged in the housing behind a window, are used as a carrier for the digits, one after the other, with a gap corresponding to the selected digit being taken and locked in this position, from which they are unlocked by a common link when the display is deleted to return to the starting position based on their own tension.
2. Display device as per claim 1, characterised in that the bands are partly guided on their path during the lifting process by a curved guide surface (11).
3. Display device as per claim 1, characterised in that the winding and running movement of the number switch is transmitted to a drum (1), the axis of rotation (9) of which runs parallel to the common axis (8) of the spiral-shaped number bands (2).
4. Display device as per claim 3, characterised in that the drum (1) features, on its periphery, a groove (10), which runs parallel to the drum axis (9), into which the correspondingly bent, free ends (2a) of the number bands (2) are pushed in through the springs (3).
5. Display device as per claim 4, characterised in that the springs (3) are blocked by pins (2_b), which are arranged on the respective upstream number band and only come into effect when the upstream number band has been set by the number switch.
6. Display device as per claim 1, characterised in that the individual bands (2) have recesses (2_c) assigned to the numbers, into which nose-shaped elevations (5) of the base plate will snap after the band is adjusted.
7. Display device as per claim 6, characterised in that after a number band (2) has latched into place, it comes out of engagement with the drum (1).
8. Display device as per claim 3, characterised in that the drum (1) is designed as a pull number switch.
9. Display device as per claim 1, characterised in that the return of the digit bands is triggered by a hook switch via the contact piece (7).

928 899 [page 3]

Attached 1 page with drawings

509 515 6.55

Fig.1



Zu der Patentschrift **928899**
Kl. 21a³ Gr. 62 01

Fig. 2

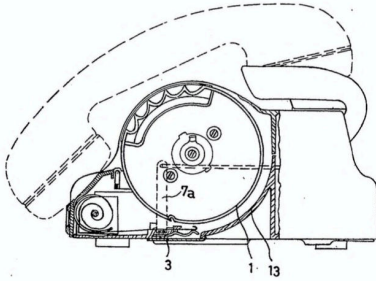
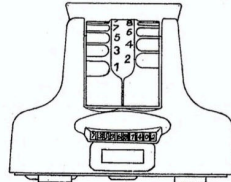


Fig. 3



Zu der Patentschrift **928899**
Kl. 21a³ Gr. 62 01

~ II. Patents ~
13. German Patent Office, 27th June 1959.
The Modular System of Components.

Today, modular means of construction are standard.

This patent focuses on the idea that the individual components of the drum selector do not have to be assembled or connected before their installation, but may be applied as a whole.

In case of individual components being damaged, however, the individual elements could be replaced easily and inexpensively without having to replace the entire arrangement.

In Vol. No. 1, on pages 24 and 53, there is an actual overview of all of the elements, and I can confirm from my own experience that the installation and removal of the internal units is completely unproblematic, even for laypersons.

With this patent one can see that the idea of modular structures for devices is already paving the way for the future.

The simple assembly and dismantling of device parts leads to more cost-effective maintenance and repairs due to the quick interchangeability and compact design, which in turn makes such devices cheaper to start with.

Here, too, the innovative and future-oriented technical design of this Siemens device is evident.



Patent Specification

FEDERAL REPUBLIC OF GERMANY



ISSUED ON
11TH JUNE 1959

GERMAN PATENT OFFICE

PATENT SPECIFICATION

No. 972 232

CATEGORY 21a² GROUP 20₀₁

INTERNATIONAL CATEGORY H 04m -----

S 22490 VIIIa/21a²

Dipl.-Ing. Willi Lohs, Berlin-Siemensstadt,
and Bernhard Jörgensen, Berlin-Siemensstadt
have been stated as the inventors

Siemens & Halske Aktiengesellschaft, Berlin and Munich

Telephone station

Patented within the area of the Federal Republic of Germany as of 23rd March 1951

The patent application was published on 3rd July 1952

The granting of the patent was published on 27th May 1959

The invention relates to a telephone station in which the individual structural units are attached to cast support pieces of the base plate.

In existing arrangements, plates with threaded holes are used, on which the individual pre-assembled units are attached by means of special fasteners, such as angles and suchlike. In other known arrangements, plates are provided with support pieces, which are designed, for example, as tabs or bases, to which the individual previously assembled structural units are then attached. The invention aims at a substantial simplification of the manufacturing of the station, whilst cutting down on individual parts, and therefore leading to a simplified

work process. This is achieved by the induction coil, which is to be arranged on the base plate, the bell system and, if applicable, the button devices assigned to the station, being composed of parts cast with the base plate from one material, and which are also dimensionally designed as support pieces and loose parts that can be inserted, namely in such a way that a functional unit is created by inserting and determining the insertable pieces in line with the respective dimensional accuracy.

The arrangement as per the invention has the advantage over what is currently known in that there is no need to assemble the structural units prior to their assembly on the base plate.

909 532/24

972 232 [page 2]

Furthermore, if any part of a structural unit is damaged, it is not necessary to replace the entire unit, as it is sufficient to replace the damaged part of the structural unit.

Exemplary models of the invention are shown in the drawings.

Fig. 1 to 7 show a telephone desk station with a bell unit mounted flat on the base plate;

Fig. 8 and 9 show a telephone desk station with a drum number switch mounted on the base plate and the bell system positioned vertically;

Fig. 1 shows the base plate 1 from a plan view, Fig. 2 the section A-B in fig. 1, Fig. 3 the section C-D in fig. 1, Fig. 4 the section E-F in fig. 1, Fig. 5 the section G-H in fig. 1, Fig. 6 the section J-K in fig. 1, Fig. 7 the section L-M, Fig. 8 shows the base plate 7 in plan view and Fig. 9 the section O-P in fig. 8.

All sections are depicted in the direction of the arrow. The base plates 1 and 7 are illustrated in a strongly

drawn out manner, while the associated components are only indicated by dashed lines.

The base plate 1 in fig. 1 to 7 can be manufactured as an injection-moulded part or a moulded part. This part has special support elements for the connection strip 2 in fig. 1 and 2, for the induction coil 3 in fig. 1 and 3, for the bell system 4 in fig. 1 to 5 and for the contact spring set of the switch 6 in fig. 1 and 2. In addition, the base plate also has support elements for a round condenser 5 in fig. 1 and for a button 41 to 45 in fig. 1 and 6.

As a carrier for the connection strip 2 in fig. 1 and 2, desk-shaped sprues 15-16 are provided, which have threaded holes for fastening the smooth insulating material plate of the connection strip 2. Furthermore, special support bases 18-19 are cast onto the base plate 1, by means of which the thin insulating material plate of the connection strip 2 is prevented from bending when the connection services are screwed on.

For the storage of the induction coil 3 in fig. 1 and 3, the support blocks 20-21 are cast onto the base plate 1, which have vertical grooves for receiving the iron sheets of the induction coil. L-shaped core sheets are expediently used as iron sheets for the induction coil. A set of these L-shaped core sheets is layered into the vertical grooves of the support blocks 20-21 with the short leg pointing upwards. L-shaped core sheets are also inserted into the pressed material body of the coil. The coil body with the inserted core sheets is now placed on the core sheets, which are laminated into the support blocks 20-21 in such a way, that the short leg of the laminated core sheets is placed on the long leg of the laminated core sheets and the long leg of the laminated core sheets is placed on the short leg of the laminated coil sheets. Insulating plates for determining the magnetic resistance of the iron core can be sandwiched between the two support points of the core sheets.

One of the support blocks 20 of the induction coil 3 has a trough 22, into which the number switch cord can be inserted. After the induction coil has been inserted, the smooth retaining plates 23-24 are screwed onto the support blocks 20-21 and the induction coil 3 is thus clamped into place. Through screwing on the retaining plate 23, the number switch cord is also held in place. For the storage of the bell coils, the support blocks 25-26 in fig. 1, 2 and 4 are cast onto the base plate 1. The coil discs of the two bell coils are stored in these support

blocks 25-26. The two support blocks 27-28 are intended for the two coil cores 29-30 in fig. 1 and 5 and the permanent magnet 31, while the bell shells are screwed onto special supports 39-40 in fig. 1 and 3 of the base plate 1. For the coil cores 29-30 in fig. 1 and 5 and the permanent magnet 31, the two support blocks 27-28 are provided, while the bell shells are screwed onto special supports 39-40 in fig. 1 and 3 of the base plate 1. The coil cores 29-30 and the permanent magnet 31 are connected by a common iron clamp 32 in fig. 2 and 5. The bell ball 33 is passed through the space between the two support blocks 27-28 for the coil cores 29-30. For the storage of the alarm anchor 36 in fig. 4, the axis 34 is injected into the base plate 1 and the support point 35.

The holding piece 38 in fig. 1 and 2 of the base plate 1 serves as a carrier for the contact spring set of the switch 6 and for fastening the actuating spring 37. The actuating spring 37 and the contact spring set of the switch 6 are screwed onto the holding piece 38 featuring threaded holes.

For the storage of the button key 41 in fig. 1 and 6, the guide sleeve 42 cast onto the base plate is used. The push button, which is smooth in itself, has a recess. The guide sleeve 42 has a horizontal slot 43. The actuating spring 44 is guided through the notch in the button key 41. The movement of the key in the axial direction is limited by an appropriately selected width of the horizontal slot 43 in the sleeve 42. The contact spring set of the button is screwed onto a special support 45 in fig. 1 and 3 of the base plate 1. Since it is well-known that not all telephone stations need a button, the special support elements for such a button could be dispensed with for such stations.

If, as shown in the present exemplary model, a round condenser is used, the base plate 1 has a depression 46 in fig. 1, in which the round condenser is stored. The condenser is held in place by a spring clip 47.

For the insertion of the connecting cords 1, the guide grommets 48 in fig. 7 and 49 in fig. 2 are cast. A spike-like sprue 50 is used to hold the cord in fig. 7, over which the loop of a connecting cord is pushed. In order to prevent the loop from sliding off the spike-like sprue 50, the housing cap has a special section 51, which covers the head of the sprue 50. The arrangement shown in fig. 7 is for the handset cord let out on the left side of the telephone station.

972 232 [page 3]

The connection cable shown in fig. 1 and 2 is a guide grommet 49. A special insulating piece 54, over which the loops of the connecting cord are inserted or the connecting cord is fastened, is used to hold the connecting cord. So that this insulating piece 54 cannot be pushed into the interior of the telephone station indefinitely, the base plate 1 has fork-shaped projections 52-53. The insulating piece 54 rests against these fork-shaped preparations 52-53 when the connecting cord is pushed in.

From fig. 3 it can be seen that the carrier elements 20, 21 and 39 have material-saving cavities.

The model of the station as per fig. 8 and 9 shows a base plate 7 in which the carrier 55 of a drum number switch 13 is cast onto the base plate 7. The carrier 55 for the number switch has two notches 64-65 for fastening the housing 66.

In the case of the station shown in fig. 8 and 9, the terminal block 9 forms a unit with the induction coil 10. The fork-shaped sprues 56-57 in fig. 8 serve as supports for this unit. The bell cup supports 58-59 also serve as supports for the yoke 60 of an bell system 11. The bell cup supports 58-59 are incorporated in the base plate 7.

Furthermore, the base plate 7 has rib-like, cast-on sockets 61-62, into which a cord guide socket 63 is inserted.

PATENT CLAIMS:

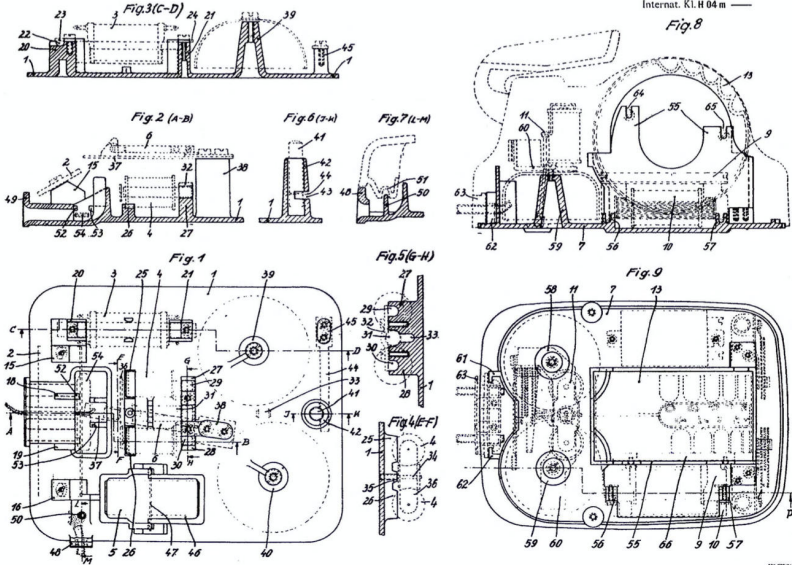
1. Telephone station, in which the individual structural units are attached to cast-on support pieces of the base plate, characterised in that the induction coil, which is to be arranged on the base plate, the bell system and, if applicable, the button devices assigned to the station, are composed of parts cast with the base plate from one material, and which are also dimensionally designed as support pieces and loose parts that can be inserted, namely in such a way that a functional unit is created by inserting and determining the insertable pieces in line with the respective dimensional accuracy.
2. Telephone station as per claim 1, characterised in that the support pieces (20, 21) for the induction coil (3) have vertical grooves for receiving the iron sheets and the sheets are clamped by holding plates (23, 24), which can be screwed onto the support pieces (20, 21).
3. Telephone station as per claims 1 and 2, characterised in that the iron sheets are L-shaped and are layered in the vertical grooves of the support pieces (20, 21) with the short leg facing upwards.
4. Telephone station as per claims 1 to 3, characterised in that the short legs of the iron sheets inserted into the coil rest on the long legs of the laminated iron sheets and the long legs of the iron sheets inserted into the coil rest on the short legs of the laminated iron sheets.
5. Telephone station as per claims 1 to 4, characterised in that small insulating sheets for adjusting the magnetic resistance of the iron core are sandwiched between the contact points of the metal sheets.
6. Telephone station as per claim 1, characterised in that the coils of the bell (4) and its permanent magnet (31) are mounted inside support pieces (25, 26) for the coil discs and support pieces (27, 28) for the coil cores (29, 30).
7. Telephone station as per claim 6, characterised in that the coil cores (29, 30) and the permanent magnet (31) are clamped by a common iron clamp (32).
8. Telephone station as per claim 6, characterised in that the bell ball (33), which is rotatable about the axis of rotation, is injected into the base plate and the carrier (35) is passed between the two support pieces (27, 28) for the coil cores (29, 30).
9. Telephone station as per claim 1, characterised in that the bell-shell supports (58, 59) combined with the base plate (7) serve as supports for the yoke (60) of a bell unit (11).
10. Telephone station as per claim 1, characterised in that the actuating spring (37) and the contact spring set of the changeover switch (6) are screwed onto a support piece (39) featuring threaded holes.
11. Telephone station as per claim 1, characterised in that a button key (41) provided with only one recess is inserted into the guide sleeve (42) cast onto the base plate and limited in its axial movement by the actuating spring (44), which is guided through the recess of the button key (41) and corresponds to the width of a horizontal slot (43) in the sleeve (42).
12. Telephone station as per claim 11, characterised in that the contact spring set of the key is screwed onto a special support piece (45) cast with the base plate (1).
13. Telephone station as per claim 1, characterised in that the base plate (7) with the support (55) for a number switch (13) consists of one piece.

Publications taken into account:

German patent specification no. 516 171;
French patent specification no. 941 246;
British patent specifications no. 346 356, 356 448;
The magazine "Machine Design", May 1951, p. 132.

Attached 1 page with drawings

909 532/24 6.59



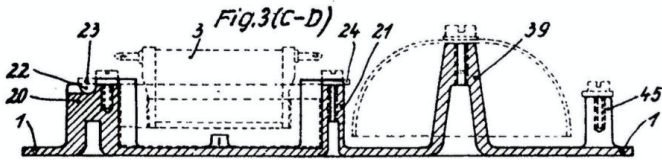


Fig. 2 (A-B)

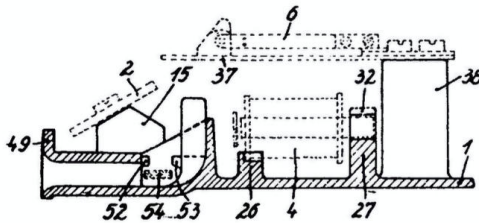


Fig. 6 (J-K)

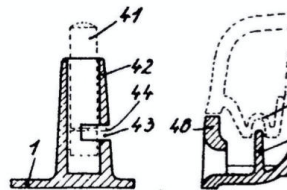


Fig. 4



Fig. 1

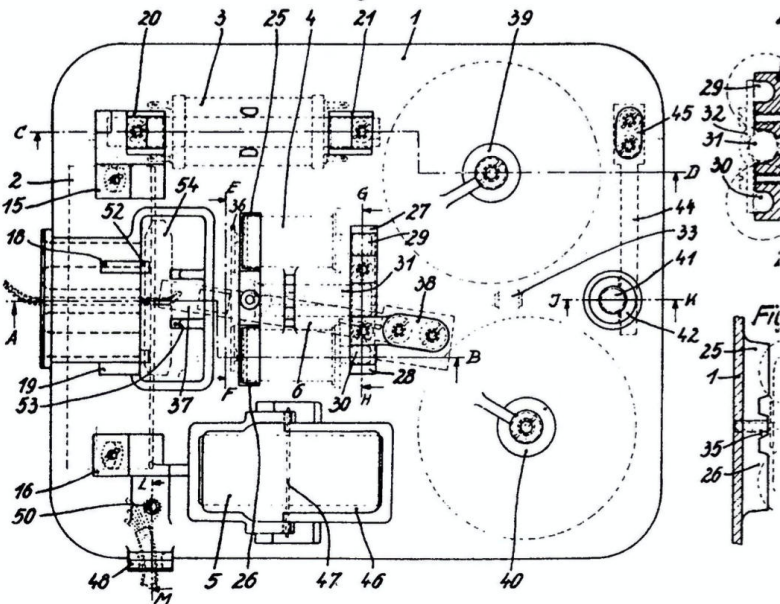


Fig. 5

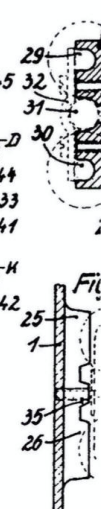
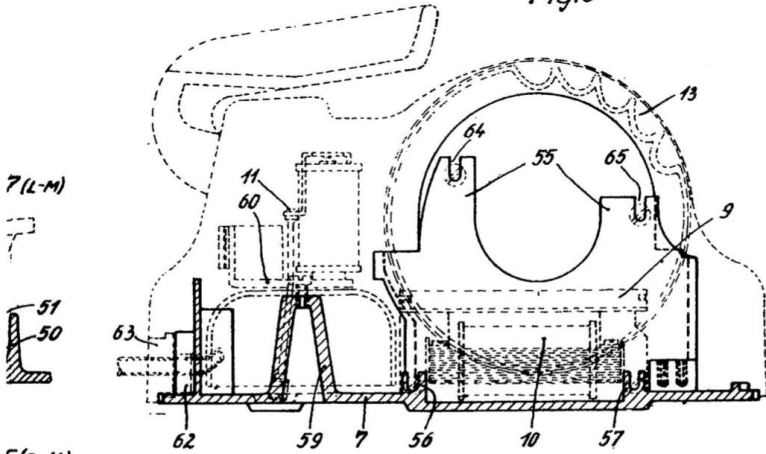


Fig. 8



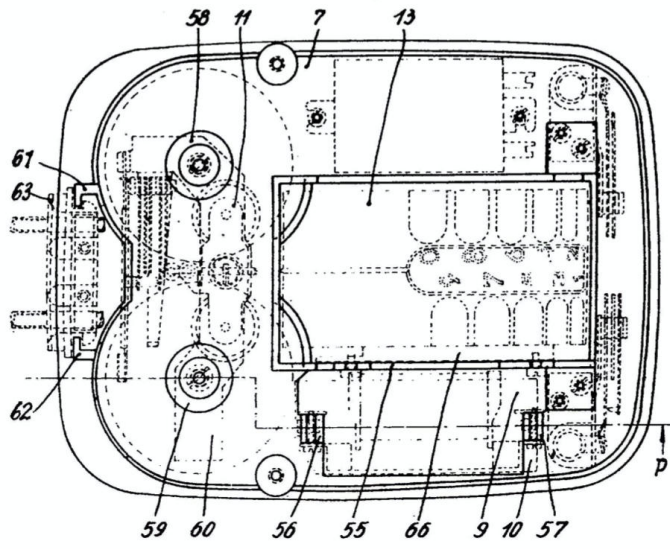
7(L-M)



7(G-H)



Fig. 9



4(E-F)



~ VII. ANNEX ~

01. Bibliography.

(Alphabetical by author, first: Original title, secondly: English translation of original title)

Arbenz, Dietrich a:

Vom Trommelwähler zu Optiset E. Die Geschichte der drahtgebundenen Telefone für die Wahl-Nebenstellenanlagen von Siemens (1950-2000). Herbert Utz Verlag. EU-Deutschland (BRD). München, 2009.

[Arbenz, Dietrich (2009) a:

From Drum Dial to Optiset E. The History of Wired Telephones for Siemens' PBXs (1950-2000). Publisher Herbert Utz. EU-Germany (FRG). Munich.]

The same b:

Der „Trommelwähler“ - ein von Hans Domizlaff konzipiertes innovatives Siemens-Telefon. In: Sammler- und Interessengemeinschaft für das historische Fernmeldewesen e.V.: Vereinsmitteilung, Ausgabe 56, EU-Deutschland (BRD), Hamburg, Dezember 2016. S. 41 ff.

[The same (2016) b:

The „Drum Dial“ – a Designed and Innovative Siemens Telephone by Hans Domizlaff. In: Collectors' and Interest Group for the Historic Telecommunications e.V.: Club Release, Vol. 56, EU-Germany (FRG), Hamburg, December 2016. p. 41 ff.]

G-E-M Gesellschaft zur Erforschung des Markenwesens e.V.: Markenartikel - Das Magazin für Markenführung. 25 Jahre Domizlaffs „Markentechnik“, Sonderheft zu Markenartikel Juni 2007. EU-Deutschland (BRD), Berlin, 2007.

[G-E-M Society for Research of Trademark r.a.: Trademark Articles - The Magazine for Brand Management. 25 Years of Domizlaff's „Trademark Technique“, Special Issue on Trademark Articles June 2007. EU-Germany (FRG), Berlin, 2007.]

Hettwig, E. / Jörgensen, B. (Hrsg.):

Ein neuer Siemens-Fernsprecher. In: Siemens-Zeitschrift, 25. Jg., 1951, Sonderdruck, Heft 3. Wernerwerk für Fernmeldtechnik. EU-Deutschland (BRD), München 1951.

[Hettwig, E. / Jörgensen, B. (Eds.) (1951):

A New Siemens Telephone (Far Speaker). In: Siemens-Magazine, Vol. 25, Special Print, Issue No. 3. Wernerwerk for Telecommunication. EU-Germany (FRG), Munich.]

Jörges, Christel / Gold, Helmut (Hrsg.):

Museumsstiftung Post und Telekommunikation: Telefone 1863-2000. Aus den Sammlungen der Museen für Kommunikation, Kataloge der Museumsstiftung Post und Telekommunikation, Band 9. Edition Braus. EU-Deutschland (BRD), Heidelberg 2001, S. 150, Abb. 163.

[Jörges, Christel / Gold, Helmut (Eds.) (2001):

Museum Foundation for Post and Telecommunication: Telephones of 1863-2000. From the Communication Museums' Collections, Catalogues of Museum Foundation for Post und Telecommunication, Vol. No. 9. Edition Braus. EU-Germany (FRG), Heidelberg, P. 150, Image No. 163.]

Krause, Christoph T. M. (Hrsg.) a:

Europas farbenfrohe Telefonfamilie ... und ein Blick über den Tellerrand. Tradition Verlag. EU-Deutschland (BRD), Hamburg, S.364 ff, 2020.

[Krause, Christoph T. M. (Ed.) (2020) a:

Europe's Colourful Telephone Family ... and a Glance Outside the Box. Publisher tradition. EU-Germany (FRG), Hamburg, p.364 ff.]

The same b:

Der Trommelwähler – Die vergessene Telefonkoryphäe der bundesdeutschen Gründerjahre (Band 1). tradition Verlag. EU-Deutschland (BRD), Hamburg, 2020.

[The same (2020) b:

The Drum Dial – The Forgotten Telephone Luminary of the Federal German Foundation Years (Vol. 1). Publisher tradition. EU-Germany (FRG), Hamburg.]

Mergelsberg, Günther:

Kennzeichen auf Fernmeldeeinrichtungen. Eine Zusammenstellung von Firmenlogos und Kennzeichen. Sammler- und Interessengemeinschaft für das historische Fernmeldewesen e.V. (SIG). EU-Deutschland (BRD), Hamburg, Neuauflage 2019.

[Mergelsberg, Günther (2019):

Labels on Telecommunication Equipment. A Summary of Company Logos and Labels. Collectors' and Interest Group for Historic Telecommunication r.a. (SIG). EU-Germany (FRG), Hamburg. New Edition.]

Roth, E.:

Fernsprechapparate in der Welt. In: Heidecker, Georg (Hrsg.): Jahrbuch des elektrischen Fernmeldewesens. Verlag für Wissenschaft und Leben. EU-Deutschland (BRD), Bad Windsheim, 21. Jg. 1970.

[Roth, E. (1970):

Telephones in the World. In: Heidecker, Georg (Ed.): Yearbook of Electric Telecommunications. Publisher for Science and Life. EU-Germany (FRG), Bad Windsheim, Vol. 21.]

~ III. ANNEX ~

02. Sources/ Acknowledgements.

Preliminary remarks regarding patent sources.

On first glance and as expected, the sources relevant to the Drum Dial appear intransparent to the untrained eye. When looking at the many individual patents in detail, a chronology becomes apparent.

The documents made available to me were copies of copies, with much shading and unintentional random black passages. In addition, the documents were oddly copied or scanned and were not suitable for depiction in a book. All application and patent documents were transcribed (copied) accordingly.

In order to preserve the original character of these historical patents, the transcription was modeled on the originals in the best possible way. Of course, this procedure was co-ordinated with the respective patent offices.

Below is a quote from the regulations¹ in this regard:

“Patent documents (disclosure documents, patent documents and utility models) are to be regarded as other official works in the sense of Section 5, Paragraph 2 of the Copyright Act and therefore enjoy no copyright protection. However, the publication must be quoted correctly, i.e. the source must be included. You are not allowed to change the text and the title, nor the pictures or the name of the patent applicant. (cf. § 62 Paragraph 1 p.1 and 2 in conjunction with § 39 UrhG: prohibition of changes and § 63 Paragraph 1 and 2 UrhG on source information).

The obligation to indicate the source when citing patent documents includes naming the authority and the place of discovery.

You can cite a German patent document as follows, for example: DE 1041226 A or DE 1041226 B; see also DPMAinformativ # 3”

At the point of transcription there are of course necessary "changes", but not in the sense of this regulation.

In application forms, for example, there are spelling errors or old ways of spelling in the original and must be marked as an error in the original with [sic!] insertions. Then handwritten entries appear, which as such are automatically transferred into the transcription.

Then there are entries that were entered into forms with a typewriter or by hand.

¹ From an email from the German Trademark and Patent Office in Munich to the author, status: 25th March 2021.

However, all these "changes" are purely editorial additions or notes that do not change the content and form of the originals.

These "changes" are marked by means of internationally valid and well-known means of identification of such "changes", e.g. by using [...] for omissions, as well as by using other identifiers as explained in the "Reading Tips" chapter, and the original is not changed. Overall, meticulous care was taken to ensure that the optical character was preserved during the transcription.

The sketches and illustrations included in the applications and patents were furthermore not changed.

The only adjustment made is that images were turned to prevent the reader from having to turn the book to view the sketches. Wherever possible, these were turned into a horizontal reading position.

Overall, the transcription of the documents was done with the utmost care in order to preserve the original character.

I am glad to have been given the opportunity to present these valuable documents from the past and thus bring them back to "life". For this I would like to thank the respective sources (see below) and the German Trademark and Patent Office in Munich, who made this project possible thanks to much friendliness, quick responses and competent support.

Name	Place	Service
Arbenz, Dr. Dietrich	Munich	For providing patent documents and personal guidance .
German Trademark and Patent Office.	Munich	Patent documents from the FRG. Patent no. 02: DE852400B, DEPATIS: DE000000852400B. Patent no. 04: DE864105B, DEPATIS: DE000000864105B. Patent no. 06: DE864104B, DEPATIS: DE000000864104B. Patent no. 07: DE864106B, DEPATIS: DE000000864106B. Patent no. 08: DE864107B, DEPATIS: DE000000864107B. Patent no. 09: DE867701B, DEPATIS: DE000000867701B. Patent no. 10: DE874156B, DEPATIS: DE000000874156B. Patent no. 11: DE876706B, DEPATIS: DE000000876706B. Patent no. 12: DE928899B, DEPATIS: DE000000928899B. Patent no. 13: DE972232B, DEPATIS: DE000000972232B.

European Patent Office. Espacenet.	Munich	Patent documents from Europe. Patent no. 03: CH282227B, DEPATIS: CH000000282227B. Patent no. 01: GB366408B, DEPATIS: GB000000366408B.
Kadir, Anja.	Elmshorn	For transcribing the respective application and patent texts.
The same.	Elmshorn	For translating German patents into English.
Krause, Christoph (author)	Cologne	Image 05. Private photograph of a pull number switch.
Krause, Werner.	Cologne	For general advice and support.
New York Telephone Company.	NYC, USA	Image 01. After chapter: I. Introduction a. Preliminary Remarks: “ <i>Illustration: “When in Quarantine”.</i> ” Newspaper excerpt, 1904.
Pixabay GmbH: Author: bOred.	Berlin	Illustration 01: Pixabay no. 2934-029 Illustration 02: Pixabay no. 2934-030 Illustration 03: Pixabay no. 2934-033 Illustration 04: Pixabay no. 2934-034 Illustration 05: Pixabay no. 2934-035 Illustration 06: Pixabay no. 2934-036 Illustration 07: Pixabay no. 2934-038 Illustration 08: Pixabay no. 2934-039 Illustration 09: Pixabay no. 2934-040 Illustration 10: Pixabay no. 2934-041 Illustration 11: Pixabay no. 2934-043 Illustration 12: Pixabay no. 2934-042 Illustration 13: Pixabay no. 2934-045
Pixabay GmbH: Author: Stux.	Berlin	Image 04. In chapter: II. 12., p.97. Pixabay no. 632290.
Popular Mechanics by Hearst Digital Media.	USA	Image 03. after chapter: I. Introduction c. Reading Tips: “ <i>Plastic Shell Equips Phone For Two-Way Listening</i> ”. Magazine Nov. 1953.
Siemens AG Communica- tions, Thought Leadership & Branding, Siemens Hi- storical Institute CMTLSHI	Berlin	For permitting the use of a Siemens poster as the book’s cover. „ <i>Brochure published by SIEMENS (1950)</i> “.
Siemens AG	Berlin	Image 06. , unknown advertisement, 1964.
The Tacoma News Tribune.	Tacoma, WA, USA	Image 02. after chapter: I. Introduction b. Back to the Future: “ <i>There’ll Be No Escape In The Future From Telephones</i> ”. Newspaper excerpt, 1953.
Warrelmann, Ole Jan.	Hamburg	For providing patent documents and personal guidance.

~ III. ANNEX ~

03. A Letter to the Editor from M. K.¹

The Red Drum Dial or Of The Soul of Things

26th January 2021.

This morning I dreamed that I was in a house similar to the one in Graf-Kessel-Straße, where I used to live, just bigger, more spacious and with more floors. There was an attic, but I didn't go into it all the way. The rooms were almost empty, with a few pieces of furniture here and there, and there was a telephone [sic!] in every room, all of them older models including the W49.

Whilst looking at all of the telephones, I wondered, where our red Drum Dial was. (In my dream) I remembered, that it used to be connected in one of the rooms.

Finally I found it... in the trash! The cable of the ear piece had been ripped off the telephone [sic!], and the cable was not in a good condition.

I thought: "... Why did no-one tell me, that the cable had been ripped off?... I can fix this...".

I took the telephone [sic!] and left the house. Then I thought (in my dream) that I should call Siemens to ask, whether they still have one of those red, woven ear piece cables in their archives. And I thought that a black cable (which I actually own) would be a break in style.

Whilst thinking of Siemens, I woke up.

A few months ago (in September 2020) [sic!], I found a small, thin book called "The Drum Dial" whilst browsing the internet, on the cover page of which a red Drum Dial was displayed.

The book had only just been published in August 2020. I bought it and contacted the author, who wrote to me that the image on the cover page was provided by a collector in the USA, and that he himself had never seen a real red device, so I invited him to have a look at my device.

I placed a pile of magazines (VDI news) on a chest of drawers in one of the corners of my living room, which at this point amounted to a height of more than ten cm. After reaching a height of about five cm, I placed the small book onto the pile, once I had finished reading it, and continued to pile on additional VDI news on top.

The pile had grown even further and I needed space on the chest of drawers, so as to place something else on them. After a while, I put read magazines in the recycling bin, including this pile. I had already put the magazines in a box that I use to collect paper for recycling.

The point of this story: I had completely forgotten about the book, and it was right in the middle of the recycling pile ready to be thrown away.

When I got up this morning, still thinking about the dream, I knew without thinking that the book was still in the pile of old VDI news. I went to the pile and confidently pulled out the little book.

Had I not had this dream, all of the paper, including this book, would have been dumped in the recycling bin.

Why did I dream of old telephones right at this point in time, and why did the dream feature a red Drum Dial in particular? I have never dreamed of telephones before!

¹ The fellow colleague asked for his contribution to remain anonymous.



Christoph T. M. Krause

The Drum Dial

**The Forgotten
Telephone Luminary
of the Federal German
Foundation Years**



Did the book (or maybe even the telephon [sic!]) call for me ???

~ III. ANNEX ~

04. Epilogue

We were able to almost fully grasp the Drum Dial in Volume 2 and learned, how many developers and inventors looked at this marvelous device intensively and for long periods of time before its short 5-year “lifetime”. Furthermore, it is evident that this telephone embodies an incredible amount of technology and inventive genius.

At the same time, we can see that modern technology in general has changed, and how what was once important, is now rather unimportant or has been forgotten completely.

Technology, especially in the area of telephony, was and is fully electronic, more and more touch-free and voice-controlled. Keys, as well as mechanical and movable parts and devices are reduced to a minimum, or have been eliminated completely.

The “loss” of this past and the “gains” of our present day lead us into an exciting and partly foreseeable, but also unforeseeable future.

Let us use the Drum Dial to go **back to the future**, to see how the future was created or supposed to be created in the 1950’s during the post-war period.

The ongoing development of old forms, design-orientated, more compact and therefore small versions, new, supposedly ergonomic control panels and power units indicated that a new era was about to start.

The basic level of analogue technology, as well as the future of the same, naturally remained within the area of traditional technology and did not overturn the evolutionary limitations of the analogue era. It would take a few more decades of development until the world would be conquered by means of digital quantum leaps.

Our look back into the future during the 1950’s promised many new things, and we in the 21st century do not know what the quantum leaps of our future may be.

Is it optical holography, a completely device-free operation through voice and/ or thought control? Will we have chips implanted, to control our digital environment?

Let us have a look at the music industry, for example:

From shellac records to vinyl, cassette tapes and CDs to streaming and downloads, we are more and more moving in a fully digitalised realm without having to actually touch data carriers, which we would collect and store at home.

Today, music is virtually available and everything that once was physical, is now water under the bridge.

Hence, telephony is increasingly becoming a rare by-product, which continues to exist as a relict, but which has very much moved into the background.

Nevertheless, we should not forget this lost telephone universe, as, from a genetic point of view, the feel and the physical nature of things is much more relatable to humans than the virtual space continuum. Sensory experiences of the past will stick, and are still a main characteristic of culture and tradition.

One main characteristic of the virtual world is its fleetingness, demonstrated by photographs, for example:

When I was a child, I used an old box camera to take pictures. It took black and white photographs and a cheap film would contain 12 pictures. I really had to think about what to photograph, as the development and production of photographs was expensive, and not only for children on pocket money.

Therefore, every “print” of an image had a material, as well as an ideal value, which, compared to today, was relatively incalculable.

Today, we have hundreds of thousands of photographs on hard drives and are hardly able to cope with the amount, nor are we able to look at them all.

A picture costs hardly anything these days and is as fleeting as gas. It can be deleted or is forever lost in the depths of the data carrier.

What do you think is nicer? The truth is, both can be nice, practical and fulfilling, but what will I be able to recall more vividly?

I remember the photographs of my childhood and... I remember our Drum Dial, it reminds me of the future we envisaged in the past.

If there is nothing physical that remains, than it will be difficult to remember, things neither have a face nor memory potential.

Nevertheless:

The world of technology and evolutionary development continues to evolve and that is a good thing.

However:

Let's remember our future, so that we can focus on what is important, humans in the centre of being, not technology.

~ III. ANNEX ~

05. Original Versions of the Patent Specifications.

The regulations governing the depiction of patents and associated sketches stipulate that the patent specifications are to be displayed in their original form or/ and in their original language (which is German in our case).

The rules, as explained in the Sources/ Acknowledgments chapter, apply equally. These rules concern the postulate of immutability in relation to patent documents.

At this point, I won't repeat the original patents' associated sketches because they are already depicted in this book's main part.

Patent no. 1 is not shown here because its original version had already been composed in English.

There is no official patent under no. 5 but only the Siemens application which is not published at this point.



No Patent Specification



Patent Specification

Erteilt auf Grund des Ersten Überleitungsgesetzes vom 8. Juli 1949
(WiGBl. S. 175)

BUNDESREPUBLIK DEUTSCHLAND



AUSGEGEBEN AM
13. OKTOBER 1952

DEUTSCHES PATENTAMT

PATENTSCHRIFT

Nr. 852 400

KLASSE 21a³ GRUPPE 16₀₁

p 3316 VIIIa/21a³ B

Fritz Döring, Berlin-Frohnau
ist als Erfinder genannt worden

Siemens & Halske Aktiengesellschaft, Berlin und München

Fernsprechstation mit Nummernschalter

Patentiert im Gebiet der Bundesrepublik Deutschland vom 24. Juni 1949 an
Patentanmeldung bekanntgemacht am 1. Februar 1951
Patenterteilung bekanntgemacht am 14. August 1952

Die Erfindung betrifft eine Fernsprechstation mit Nummernschalter, dessen Bedienungsglied Fingeröffnungen für jede der Ziffern 1 bis 9 und 0 aufweist und nach einer Aufzugsbewegung beim Rücklauf die Abgabe einer entsprechenden Anzahl von Stromimpulsen bzw. -unterbrechungen veranlasst. Bei den gebräuchlichen Fernsprechstationen hat das Bedienungsglied des Nummernschalters durchweg die Form einer ebenen Scheibe (Wählscheibe), die um eine zur Scheibenfläche senkrechte Achse drehbar ist und die Fingeröffnungen auf einem Kreisbogen verteilt enthält. Dabei ist die Lage der Achse meist so gewählt, dass der Benutzer möglichst angenehm senkrecht auf die Fläche der Wählscheibe sieht.

Diesen bekannten und seit langen Jahren allgemein benutzten Ausführungen haften einige Mängel an. So treten beim Wählvorgang, bei dem eine Feder aufzuziehen

ist, um mit Hilfe der hierbei gespeicherten Arbeit den Impulskontakt im erforderlichen Rhythmus zu betätigen, teilweise seitwärts wirkende Kräfte auf, die es bei den meist benutzten Tischstationen erforderlich machen, das Gerät so schwer auszubilden, dass es beim Wählen auf seinem Platz möglichst sicher stehenbleibt. Obwohl die Entwicklung der Nachrichtentechnik zu immer kleineren und leichteren werkstoffsparenden Bauelementen geführt hat, ist auf diesem Gebiete die Ausnutzung dieser Fortschritte stark behindert worden, weil mit Rücksicht auf den Wählvorgang eine bestimmte Standfestigkeit erforderlich ist.

Aber auch bei der Betätigung der Nummernschalter mit Wählscheibe zeigen sich Nachteile, besonders dort, wo sehr häufig gewählt werden muss. Einmal ist die Kreisform des Weges, den der Finger

852 400 [Seite 2]

beim Wählen zu durchlaufen hat, der Erreichung hoher Geschwindigkeiten hinderlich. Zum anderen gleiten die Ränder der Fingeröffnungen beim Aufziehen der Wählscheibe unter Druck an der Fingerkuppe vorbei, was bei sehr häufigen Wiederholungen zu Beschwerden für den Benutzer führen kann. Man hat deshalb für Fernsprechvermittlungsplätze sogenannte Geradenzug-Nummernschalter geschaffen, d.h. Nummernschalter, deren Bedie-

nungsglied in Form einer leicht gebogenen Schiene ausgebildet ist und die Fingeröffnungen in zwei senkrechten Reihen nebeneinander enthält. Diese Nummernschalter eignen sich jedoch wegen ihres besonders in senkrechter Richtung großen Platzbedarfs nicht zum Einbau in Fernsprechstationen.

Durch die Erfindung wird es nun ermöglicht, Fernsprechstationen mit den Vorteilen der Geradezug-Nummernschalter auszustatten, damit den Wählvorgang zu verbessern und außerdem wesentlich an Werkstoff zu sparen, da die Durchführbarkeit des Wählvorganges nicht mehr von einer guten Standfestigkeit des Gerätes abhängt. Gemäß der Erfindung wird dies dadurch erreicht, dass das Bedienungsglied des Nummernschalters trommelförmig ausgebildet ist, auf einem dem Benutzer zugekehrten Teil seines Umfanges die Fingeröffnungen enthält und um seine zur Standfläche der Station (bzw. bei Wandstationen zur Wandfläche) parallele Achse drehbar ist und dass in dem von dem trommelförmigen Bedienungsglied umschlossenen Raum die übrigen Teile (Feder, Fliehkraftregler, Impulskontakte) des Nummernschalters eingebaut sind.

Als vorteilhaft hat es sich erwiesen, den Durchmesser des Betätigungsgliedes so zu wählen, dass der größte Drehwinkel etwa 100 bis 120° beträgt. Zur Erreichung dieses Zieles werden die Fingeröffnungen, wie es an sich bekannt ist, zweckmäßig in mindestens zwei Reihen nebeneinander angeordnet.

In den Zeichnungen ist eine Ausführungsform des Erfindungsgegenstandes, und zwar eine Tischstation in drei Ansichten, von vorn (Fig. 1), von oben (Fig. 2) und von der Seite (Fig. 3) gesehen, dargestellt. Dabei ist der Handapparat (Mikrotelefon) nur in der Vorderansicht nach Fig. 1 wiedergegeben.

Das Gehäuse 1 enthält vier nach oben ragende Vorsprünge 2, die dem Handapparat 3 als Führungsgabeln dienen. Zwischen diesen Vorsprüngen befindet sich ein beweglicher Teil 4, durch den der Umschaltkontakt (Gabelumschalter) betätigt wird.

Vor dem Handapparat 3 ist der Nummernschalter in einem Ausschnitt der zylindrisch gestalteten Vorderfläche 8 des Gehäuses 1 angeordnet. Sein trommelförmig ausgeführtes Bedienungsglied ist mit 5 bezeichnet. Es enthält, in zwei Reihen etwa auf ein Viertel seines Umfanges verteilt, die Fingeröffnungen 6, die auch oval ausgeführt sein können, und ist um seine zur Standfläche parallele Symmetrieachse drehbar.

Beim Wählen dient der Rand des Gehäuses bei 7 als Fingeranschlag. (Es kann aber ebenso ein besonderer Fingeranschlag vorgesehen sein, um das Einstellen aller Teile des Nummernschalters vor dessen Einbau in die Fernsprechstation zu ermöglichen.) Wie die Zeichnung erkennen lässt, treten beim Wählen im wesentlichen [sic] nur senkrecht zur Standfläche gerichtete Kräfte oder mindestens Komponenten solcher Kräfte auf, so dass die Station leicht ausgeführt werden kann, ohne beim Wählen ihren Platz zu verändern.

Die mechanischen Teile des Nummernschalters können in der bei den bekannten Wählscheiben üblichen Weise ausgeführt sein. Sie werden in dem vom Bedienungsglied 5 umschlossenen Raum untergebracht.

Die Fingeröffnungen können, abweichend von der dargestellten Ausführung, auch als muldenförmige Vertiefungen des Zylindermantels ausgebildet sein.

PATENTANSPRÜCHE:

1. Fernsprechstation mit Nummernschalter, dessen Bedienungsglied Fingeröffnungen für jede Ziffer aufweist und nach einer Aufzugsbewegung beim Rücklauf die Abgabe einer entsprechenden Anzahl von Stromimpulsen veranlasst, dadurch gekennzeichnet, dass das Bedienungsglied (5) des Nummernschalters trommelförmig ausgebildet ist, auf einem dem Benutzer zugekehrten Teil seines Umfanges die Fingeröffnungen (6) enthält und um seine zur Standfläche der Station (bzw. bei Wandstationen zur Wandfläche) parallele Achse drehbar ist und dass in dem von dem trommelförmigen Bedienungsglied umschlossenen Raum die übrigen Teile (Feder, Fliehkraftregler, Impulskontakte) des Nummernschalters eingebaut sind.
2. Fernsprechstation nach Anspruch 1, dadurch gekennzeichnet, dass der größte Drehwinkel des Bedienungsgliedes etwa 100 bis 120° beträgt.
3. Fernsprechstation nach Anspruch 1, dadurch gekennzeichnet, dass die Fingeröffnungen als muldenförmige Vertiefungen der Trommelmantelfläche ausgebildet sind.
4. Fernsprechstation nach Anspruch 1, dadurch gekennzeichnet, dass der Nummernschalter in der zylinderförmig ausgestalteten Vorderfläche (8) des Stationsgehäuses (1) angeordnet ist.
5. Fernsprechstation nach Anspruch 4, dadurch gekennzeichnet, dass der untere Rand (7) des zur Aufnahme des Bedienungsgliedes (5) dienenden Ausschnittes der zylindrischen Vorderfläche (8) als Fingeranschlag ausgebildet ist.

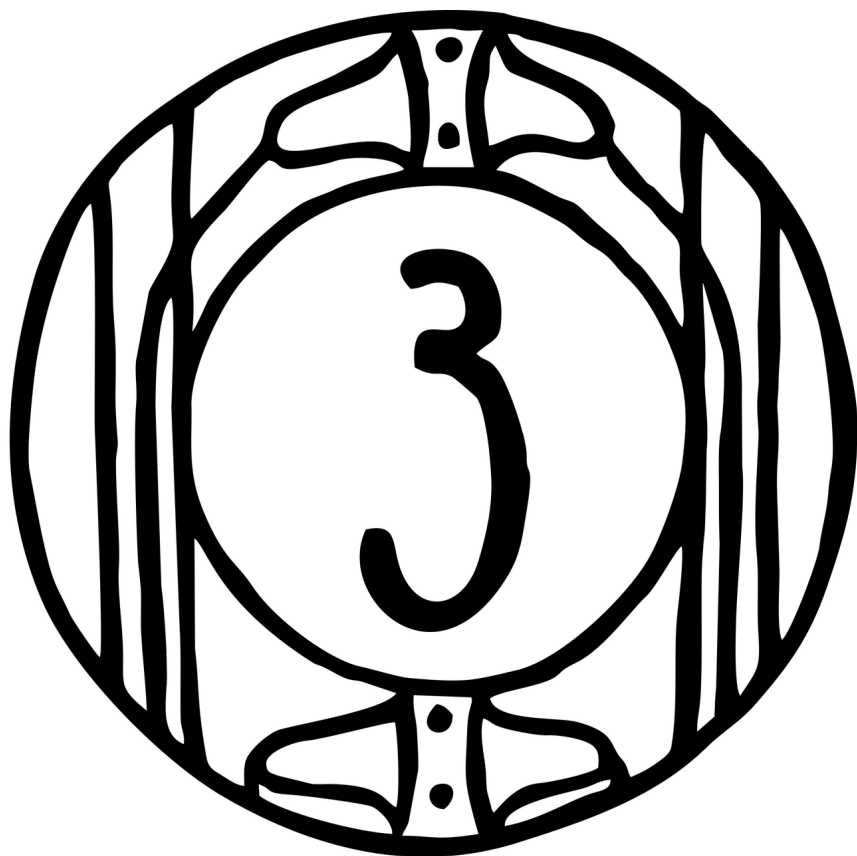
Angezogene Druckschriften:

Britische Patentschrift Nr. 366 408;

Flad-Kirch: Eisenbahn-Fernsprechtechnik 1948, S.

55.

Hierzu 1 Blatt Zeichnungen



Patent Specification



Gesuch eingereicht: 12. Juni 1950, 17:30 Uhr. – Patent eingetragen: 15. April 1952.
(Priorität: Deutschland, 23. Juni 1949.)

HAUPTPATENT

Siemens & Halske Aktiengesellschaft, Berlin und München (Deutschland).

Fernsprechstation mit Wählschalter.

Die Erfindung betrifft eine Fernsprechstation mit Wählschalter, dessen Bedienungsglied Fingerausnehmungen für jede der Ziffern 1 bis 9 und 0 aufweist und nach einer Aufzugbewegung beim Rücklauf die Abgabe einer entsprechenden Anzahl von Impulsen, z.B. Schließimpulsen oder Unterbrechungsimpulsen, veranlasst. Bei den gebräuchlichen Fernsprechstationen hat das Bedienungsglied des Wählschalters durchweg die Form einer ebenen Scheibe (Wählscheibe), die um eine zur Scheibenfläche senkrechte Achse drehbar ist und die Fingeröffnungen auf einem Kreisbogen verteilt enthält. Dabei ist die Lage der Achse meist so gewählt, dass der Benutzer möglichst angenähert senkrecht auf die Fläche der Wählscheibe sieht.

Diesen bekannten und seit langen Jahren allgemein benutzten Ausführungen haften einige Mängel an. So treten beim Wählvorgang, bei dem eine Feder aufzuziehen ist, um mit Hilfe der hierbei gespeicherten Arbeit den Impulskontakt im erforderlichen Rhythmus zu betätigen, teilweise seitwärts wirkende Kräfte auf, die es bei den meistbenutzten Tischstationen erforderlich machen, das Gerät so schwer auszubilden, dass es beim Wählen auf seinem Platz möglichst sicher stehen bleibt. Obwohl die Entwicklung der Nachrichtentechnik zu immer kleineren und leichteren, werkstoffsparenden Bauelementen geführt hat, ist auf diesem Gebiete die Ausnutzung dieser Fortschritte stark behindert

worden, weil mit Rücksicht auf den Wählvorgang eine bestimmte Standfestigkeit erforderlich ist.

Aber auch bei der Betätigung der Wählschalter mit Wählscheibe zeigen sich Nachteile, besonders dort, wo sehr häufig gewählt werden muss. Einmal ist die Kreisform des Weges, den der Finger beim Wählen zu durchlaufen hat, der Erreichung hoher Geschwindigkeiten hinderlich. Im weiteren [sic!] reiben die Ränder der Fingeröffnungen beim Aufziehen der Wählscheibe an der Fingerkuppe, was bei sehr häufigen Wiederholungen zu Beschwerden für den Benutzer führen kann. Man hat deshalb für Fernsprech-Vermittlungsplätze sogenannte „Geradezug-Wählschalter“ geschaffen, das heißt Wählschalter, deren Bedienungsglied in Form einer leicht gebogenen Schiene ausgebildet ist und die Fingeröffnungen in zwei senkrechten Reihen nebeneinander enthält. Diese Wählschalter eignen sich jedoch wegen ihres besonders in senkrechter Richtung großen Platzbedarfes nicht zum Einbau in Fernsprechstationen.

Durch die Erfindung wird es nun ermöglicht, Fernsprechstationen mit den Vorteilen der ‚Geradezug-Wählschalter‘ auszustatten, damit den Wählvorgang zu verbessern und außerdem wesentlich an Werkstoff zu sparen, da die Durchführbarkeit des Wählvorganges nicht mehr von einer guten Standfestigkeit des Gerätes abhängt. Gemäß der Erfindung

wird dies dadurch erreicht, dass das Bedienungsglied des Wählschalters trommelförmig ausgebildet ist, auf einem dem Benutzer zugekehrten Teil seines Umfanges die Fingerausnehmungen enthält und um seine zur Standfläche der Station (bzw. bei Wandstationen zur Wandfläche) parallele Achse drehbar ist, und dass in dem von dem trommelförmigen Bedienungsglied umschlossenen Raum die übrigen Teile des Wählschalters (z.B. Feder, Fliehkraftregler, Impulskontakt) eingebaut sind.

Als vorteilhaft hat es sich erwiesen, den Durchmesser des Bedienungsgliedes so zu wählen, dass der größte Drehwinkel etwa 100 bis 120° beträgt. Zur Erreichung dieses Ziels werden die Fingerausnehmungen, wie es an sich bekannt ist, zweckmäßig in mindestens zwei Reihen nebeneinander angeordnet.

In der Zeichnung ist eine Ausführungsform des Erfindungsgegenstandes, und zwar eine Tischstation, in drei Ansichten, von vorn (Fig. 1), von oben (Fig. 2) und von der Seite (Fig. 3) gesehen, dargestellt. Dabei ist der Handapparat (Mikrotelefon) nur in der Vorderansicht nach Fig. 1 wiedergegeben.

Das Gehäuse 1 enthält vier nach oben ragende Vorsprünge 2, die dem Handapparat 3 als Führungsgabeln dienen. Zwischen diesen Vorsprüngen befindet sich ein beweglicher Teil 4, durch den der Umschaltkontakt (Gabelumschalter) betätigt wird.

Vor dem Handapparat 3 ist der Wählschalter in einem Ausschnitt der einen Teil einer Zylinderfläche bildenden Vorderfläche 8 des Gehäuses 1 angeordnet. Sein trommelförmig ausgeführtes Bedienungsglied ist mit 5 bezeichnet. Es enthält in zwei Reihen etwa auf ein Viertel seines Umfanges verteilt, die Fingeröffnungen 6, die auch oval ausgeführt sein können, und ist um seine zur Standfläche parallele Achse drehbar. An Stelle von Öffnungen 6 können auch muldenförmige Vertiefungen vorgesehen werden.

Beim Wählen dient der Rand 7 des Gehäuses als Fingeranschlag. (Es kann aber ebenso ein besonderer Fingeranschlag vorgesehen sein, um das Einstellen aller Teile des Wählschalters vor dessen Einbau in die Fernsprechstation zu ermöglichen.) Wie

die Zeichnung erkennen lässt, treten beim Wählen im wesentlichen [sic!] nur senkrecht zur Standfläche gerichtete Kräfte oder mindestens solche Komponenten aufweisende Kräfte auf, so dass die Station leicht ausgeführt werden kann, ohne beim Wählen ihren Platz zu verändern.

Die mechanischen Teile des Wählschalters können in der bei den bekannten Wählscheiben üblichen Weise ausgeführt sein. Sie sind in aus der Zeichnung nicht ersichtlicher Weise in dem vom Bedienungsglied 5 umschlossenen Raum untergebracht.

PATENTANSPRUCH:

Fernsprechstation mit Wählschalter, dessen Bedienungsglied Fingerausnehmungen für jede Ziffer aufweist und nach einer Aufzugbewegung beim Rücklauf die Abgabe einer entsprechenden Anzahl von Impulsen veranlasst, dadurch gekennzeichnet, dass das Bedienungsglied (5) trommelförmig ausgebildet ist, auf einem dem Benutzer zugekehrten Teil seines Umfanges die Fingerausnehmungen (6) enthält und um seine zur Standfläche der Station parallele Achse drehbar ist, und dass in dem von dem trommelförmigen Bedienungsglied umschlossenen Raum die übrigen Teile des Wählschalters eingebaut sind.

UNTERANSPRÜCHE:

1. Fernsprechstation nach dem Patentanspruch, dadurch gekennzeichnet, dass der größte Drehwinkel des Bedienungsgliedes (5) zwischen 100 und 120° liegt.
2. Fernsprechstation nach dem Patentanspruch, dadurch gekennzeichnet, dass die Fingerausnehmungen als muldenförmige Vertiefungen der Trommelmantelfläche ausgebildet sind.
3. Fernsprechstation nach dem Patentanspruch, dadurch gekennzeichnet, dass der Wählschalter in der als Teil einer Zylinder-

Fläche ausgestalteten Vorderfläche (8) des Stationsgehäuses (1) angeordnet ist.

4. Fernsprechstation nach Unteranspruch 3, dadurch gekennzeichnet, dass der untere Rand (7) des zur Aufnahme des Bedienungsgliedes (5) dienenden Ausschnittes

der Vorderfläche (8) als Fingeranschlag ausgebildet ist.

Siemens & Halske Aktiengesellschaft
Vertreter: Edmond Lauber, dipl. Ing.,
Genf.



Patent Specification

Erteilt auf Grund des Ersten Überleitungsgesetzes vom 8. Juli 1949
(WiGBl. S. 175)

BUNDESREPUBLIK DEUTSCHLAND



AUSGEGEBEN AM
22. JANUAR 1953

DEUTSCHES PATENTAMT

PATENTSCHRIFT

Nr. 864 105
KLASSE 21a³ GRUPPE 16₀₁
S 23056 VIIIa/21a³

Bernhard Jörgensen, Berlin-Siemensstadt
ist als Erfinder genannt worden

Siemens & Halske Aktiengesellschaft, Berlin und München

Fernsprechstation mit Nummernschalter

Zusatz zum Patent 852 400
Patentiert im Gebiet der Bundesrepublik Deutschland vom 9. Mai 1951 an
Das Hauptpatent hat angefangen am 24. Juni 1949
Patentanmeldung bekanntgemacht am 15. Mai 1952
Patenterteilung bekanntgemacht am 4. Dezember 1952

Das Patent 852 400 betrifft eine Fernsprechstation mit Nummernschalter, dessen Bedienungsglied die Form eines Zylindermantels aufweist, der auf einem dem Benutzer zugekehrten Teil seines Umfangs die Fingeröffnungen enthält und um seine zur Standfläche der Station parallel Achse drehbar ist.

Bei der im deutschen Patent 852 400 gezeigten Anordnung bildet ein Teil der aufgesetzten Gehäusekappe den Fingeranschlag beim Aufzug des Wähltrommelnummernschalters. Der von der Wähltrommel beim Aufzug zurückgelegte Weg bestimmt aber die Zahl der zu erzeugenden Stromstöße. Ist der Weg der Wähltrommel nicht richtig ausgestellt, so ist der Anlass zur Aussendung einer

ungewollten Stromstoßzahl und somit zu Fehlverbindungen gegeben. Zur Einstellung der Wähltrommel ist dann die Abnahme der Gehäusekappe erforderlich, um an die Einstellglieder der Wähltrommel heranzukommen.

Die Erfindung bezweckt nun eine vereinfachte Einstellung und Prüfung des Wähltrommelnummernschalters und besteht darin, dass das Gehäuse des Wähltrommelnummernschalters mit einem Fingeranschlag für die Wähltrommel versehen ist.

Durch die erfindungsgemäße Anordnung wird erreicht, dass die genaue Einstellung der Wähltrommel unabhängig von der Gehäusekappe vorgenommen werden kann.

In der Zeichnung ist ein Ausführungsbeispiel der Erfindung dargestellt. Fig. 1 zeigt die Vorderansicht des Nummernschalters.

Fig. 2 ist die Seitenansicht von links dargestellt, und Fig. 3 zeigt den Schnitt A-B.

Fig. 4 und 5 zeigen Einzelheiten der Schneckenradimpulsanordnung. Das Gehäuse I dient zur Aufnahme einzelner Nummernschalterbauteile, und zwar des Zahnradsegments 2, Anschlag 15, Schaltstück 3, Übersetzungsgetriebe 4, 5, Schneckenradanordnung 6 mit Impulsrad 7, Sperrad 30, Sperrklinke 26, Schaltscheibe 29 und Ritzel 28, Bremsregelanordnung 8 mit Schneckenwelle 9, Impulskontaktfedersatz 10, nsa-Kontaktfedersatz 11 und Bremsfeder 12 für das Impulsrad 7.

Das Gehäuse I ist mit Gewindelöchern 33, 34 versehen, die zur Befestigung des Gehäuses I an einem nicht dargestellten Gestell einer Grundplatte dienen.

Das Zahnradsegment 2 mit Schaltstück 3 sind auf der Hauptachse 13 des Nummernschalters befestigt. Für die Lagerung der Hauptachse 13 ist in das Gehäuse I des Nummernschalters eine besondere Lagerbuchse 14 eingepresst.

Über den Lagerzapfen des Gehäuses I ist die Aufzugfeder 18 angeordnet. Das innere Ende 19 der Feder 18 wird in einem Schlitz des Lagerzapfens gehalten. Das äußere Ende 20 der Feder 18 ist am Federgehäuse 21 befestigt. Das Federgehäuse 21 mit dem Schaltstück 22 und der Wähltrommel 23 sind fest mit der Achse 13 verbunden. Das Gehäuse I besitzt einen Anschlagsteg 17, gegen den der abgewinkelte Anschlaglappen 16 des Anschlages 15 in der Ruhelage des Nummernschalters anliegt. An das Gehäuse I ist der Anschlagsteg 24 mit angegossen. Der vordere Teil des Anschlagsteges 24 reicht über die gesamte Breite der Wähltrommel 23 hinaus. Über den Vorderteil des Anschlagsteges ist eine Isolierstoffhülse 24 geschoben, damit der den Nummernschalter betätigende Finger des Benutzers keine Berührung mit dem aus Metall bestehenden Gehäuse I erhält.

Beim Aufzug der Trommel 23 bis zum Anschlag 24 wird die Achse 13 mit dem Zahnradsegment 2 entsprechend der zurückgelegten Wegstrecke der Trommel 23 bewegt. Diese Bewegungsstrecke wird durch das Zahnradsegment 2 über das Übersetzungsgetriebe 4, 5 auf das Ritzel 28 und somit auf die Schaltscheibe 29, auf der die Sperrklinke 26 befestigt ist, übertragen.

Die von der Schaltscheibe 29 zurückgelegte Strecke ist nun dafür maßgebend, um wieviel Zahneinheiten die Sperrklinke 26 um das Sperrad 30 gedreht wird. Da in vorliegendem Fall die Zahl der Sperrzähne des Sperrades [sic!] 30 mit der Zahl der Nocken des Impulsrades 7 übereinstimmt, es sind in diesem Fall drei Sperrzähne und drei Nocken, und da durch jeden Nocken ein Stromstoß erzeugt wird, wird die Zahl der erzeugten Stromstöße gleich der Zahl der Zähne sein, über welche die Sperrklinke 26 beim Aufzug der Wähltrommel gedreht worden ist. Ist der von der Wähltrommel 23 und somit der von

der Schaltscheibe 29 zurückgelegte Weg zu klein, so wird die Sperrklinke 26 nicht in den für gewählte Ziffer bestimmten Sperrzahn des Sperrades [sic!] 30 einfallen, und es wird ein Stromstoß zu wenig erzeugt. Ist aber der Weg der Wähltrommel 23 zu groß, so wird die Sperrklinke 26 um einen Zahn des Sperrades [sic!] 30 zu weit gedreht und somit ein Stromstoß zu viel erzeugt. Es muss daher die Wähltrommel 23 eine bestimmte Ruhelage einnehmen und zwischen der Ruhelage der Wähltrommel 23 und dem Anschlag 24, 25 ein bestimmter Weg zurückgelegt werden, damit mit größter Sicherheit nur eine der gewählten Ziffern entsprechende Zahl von Stromstößen erzeugt wird.

Es ist also mit Rücksicht auf unvermeidliche Toleranzen in der Fertigung erforderlich, dass die von der Wähltrommel 23 zurückgelegte Strecke einstellbar ist. Zu diesem Zweck sind die Durchgangslöcher der Wähltrommel 23 für die Befestigungsschrauben 31, 32 als zentrische Langlöcher ausgebildet, so dass die Wähltrommel in eine solche Stellung gedreht werden kann, dass nach Aufzug des Nummernschalters die Sperrklinke 26 mit Sicherheit hinter den Zahn des Sperrades [sic!] 30 eingefallen ist, der für die Erzeugung der erforderlichen Stromstöße maßgebend ist.

Wird nach erfolgtem Aufzug des Nummernschalters die Wähltrommel 23 losgelassen, so wird durch die Kraft der Feder 18 der Ablauf des Nummernschalters veranlasst. Hierbei wird das Zahnradsegment 2 entgegen der Pfeilrichtung bewegt. Auch das Übersetzungsgetriebe 4, 5 führt eine Bewegung in der entgegengesetzten Pfeilrichtung aus. Durch das größere Übersetzungsrad 5 wird das Ritzel 28 in Umdrehungen versetzt. Eine entsprechende Bewegung führt die mit dem Ritzel 28 gekoppelte Schaltscheibe 29 mit ihrer Sperrklinke 26 aus. Die hinter einem Zahn des Sperrades [sic!] 30 eingefallene Sperrklinke 26 überträgt nun die Ablaufbewegung auf das Schneckenrad 6 und dem mit diesem gekoppelten Impulsrad 7. Das in Drehung versetzte Impulsrad 7 betätigt in einem bestimmten Rhythmus den Impulskontaktfedersatz 10. Durch das Schaltrad 6 wird die Schneckenwelle 9 in Umdrehungen versetzt. Der Bremsregler 8 gewährleistet bekannterweise einen zeitlich bestimmten Ablauf des Nummernschalters. Der Rücklauf des Nummernschalters erfolgt so lange, bis der Anschlag 15 an dem Anschlagsteg 17 des Gehäuses I anliegt. Erreicht der Nummernschalter die Ruhelage, so kommt auch die durch die Schaltscheibe 3 gesteuerte Sperrfeder 12 in die Ruhelage und legt sich vor den Nocken des Impulsrades 7, so dass in dem Augenblick, in dem der Anschlag 15 die Ruhelage erreicht hat, auch das Impulsrad 7 in der Ruhelage festgehalten wird und auf keinen Fall durch eine Schleuderbewegung eine zusätzliche ungewollte Betätigung des Impulskontaktfedersatzes 10 verursachen wird. Der in der Zeichnung dargestellte Nummernschalter ist derart ausgebildet, dass nach Aufzug einer bestimmten Ziffer zwei Stromstöße mehr erzeugt werden. Diese zwei Stromstöße werden aber auch durch Kurz-

schließen des Impulskontaktes 10 durch nsa-Kontaktfedersatz 11, der durch die Schaltscheibe 3 gesteuert wird, unterdrückt.

PATENTANSPRÜCHE:

1. Fernsprechstation mit Nummernschalter, dessen Bedienungsglied die Form eines Zylindermantels aufweist, der auf einem dem Benutzer zugekehrten Teil seines Umfangs die Fingeröffnungen enthält und um seine zur Standfläche der Station parallel zur Achse drehbar ist, ist nach Patent 852 400, dadurch gekennzeichnet, dass das Gehäuse (1) des Wähltrommelnummernschalters mit einem Fingeranschlag (24) für die Wähltrommel (23) versehen ist.
2. Fernsprechstation nach Anspruch 1, dadurch gekennzeichnet, dass der Fingeranschlag (24) mit dem Gehäuse (1) des Nummernschalters aus einem Gussstück besteht.
3. Fernsprechstation nach Anspruch 1, dadurch gekennzeichnet, dass der seitliche Teil des Fin-

geranschlages (24) in der Befestigungsebene des Gehäuses (1) liegt.

4. Fernsprechstation nach Anspruch 1, dadurch gekennzeichnet, dass an dem seitlichen Teil des Fingeranschlages (24) ein über die Breite der Wähltrommel (23) hinausragendes Anschlagstück abgewinkelt ist.
5. Fernsprechstation nach Anspruch 4, dadurch gekennzeichnet, dass über dem abgewinkelten Teil des Fingeranschlages (24) eine Isolierstoffhülle (25) gezogen ist.
6. Fernsprechstation nach Anspruch 1, dadurch gekennzeichnet, dass die um das Gehäuse (1) drehbare Wähltrommel (23) in der zur Befestigung mit den Triebwerksteilen des Nummernschalters dienenden Zwischenwand Langlöcher aufweist, die die Einstellung eines bestimmten Aufzugsweges der Wähltrommel (23) gestatten.

Hierzu 1 Blatt Zeichnungen



No Patent Specification



Patent Specification

Erteilt auf Grund des Ersten Überleitungsgesetzes vom 8. Juli 1949
(WiGBl. S. 175)

BUNDESREPUBLIK DEUTSCHLAND



AUSGEGEBEN AM
22. JANUAR 1953

DEUTSCHES PATENTAMT

PATENTSCHRIFT

Nr. 864 104
KLASSE 21a³ GRUPPE 16₀₁
S 23056 VIIIa/21a³

Bernhard Jörgensen, Berlin-Siemensstadt
ist als Erfinder genannt worden

Siemens & Halske Aktiengesellschaft, Berlin und München

Fernsprechstation mit Nummernschalter

Zusatz zum Patent 852 400
Patentiert im Gebiet der Bundesrepublik Deutschland vom 9. Mai 1951 an
Das Hauptpatent hat angefangen am 24. Juni 1949
Patentanmeldung bekanntgemacht am 15. Mai 1952
Patenterteilung bekanntgemacht am 4. Dezember 1952

Das Patent 852 400 betrifft eine Fernsprechstation mit Nummernschalter, dessen Bedienungsglied die Form eines Zylindermantels aufweist, der auf einem dem Benutzer zugekehrten Teil seines Umfangs die Fingeröffnungen enthält und um seine zur Standfläche der Station parallele Achse drehbar ist.

Bei der im Hauptpatent gezeigten Ausführung sind die Fingeröffnungen runde Löcher bzw. muldenförmige Vertiefungen im Zylindermantel.

Die vorliegende Erfindung stellt eine Weiterbildung der Anordnung nach dem Hauptpatent dar und besteht darin, dass die breiteste Stelle der Fingeröffnungen bzw. der muldenförmigen Vertiefung bis an den Rand des Zylindermantels heranreicht.

Durch die erfindungsgemäße Anordnung besteht die Möglichkeit, für die Herstellung der Wähltrommel aus

spritzbarem Isoliermaterial, insbesondere Polystyrol, eine Form zu verwenden, bei der die Teile der Form, welche die Fingeröffnungen bilden, fest im Unter- bzw. Oberteil angeordnet werden können und die gespritzte Wähltrommel aus der Form herausgenommen werden kann, ohne hierbei Formteile für die Fingeröffnungen erst zurückziehen zu müssen.

In der Zeichnung ist ein Ausführungsbeispiel der Erfindung dargestellt.

Fig. 1 zeigt das zylinderförmige Bedienungsglied, die sogenannte Wähltrommel des Nummernschalters in Vorderansicht;

Fig. 2 ist eine Seitenansicht der Wähltrommel von links; Fig. 3 zeigt den Schnitt A-B der Wähltrommel und Fig. 4 den Schnitt der Wähltrommel C-D.

Die Wähltrommel mit dem Zylindermantel 1 besitzt eine Trennwand 2, welche das Innere der Wähltrommel, wie dies aus Fig. 3 ersichtlich ist, in zwei ungleich große Räume unterteilt. Die Mittelwand 2 hat ein zentrisch angeordnetes Loch 3 und die beiden Längslöcher 4, 5 (Fig. 2 und 4) zur Befestigung der Wähltrommel an dem nicht dargestellten drehbaren Teil des Nummernschalters. Ein Teil des Umfanges der Wähltrommel weist die Fingeröffnungen 6, 7 auf. Die breiteste Stelle der Fingeröffnungen 6, 7, die in vorliegendem Falle muldenförmige Vertiefungen sind, reichen bis an die Außenränder der Wähltrommel heran. Die auf der linken Seite der Wähltrommel angeordneten Fingeröffnungen 7 sind für die ungeraden Ziffern 1 bis 9 bestimmt, während die auf der rechten Seite der Wähltrommel vorgesehenen Fingeröffnungen 6 für die geraden Ziffern 2 bis 0 bestimmt sind.

Die Unterteilung des Innern der Wähltrommel in zwei ungleich große Räume durch die Zwischenwand 2 ist dadurch bedingt, dass die nicht dargestellten mechanischen Teile des Nummernschalters den größeren Raum beanspruchen. Die Zwischenwand 2 ist nicht geradlinig bis an die Fingeröffnung 7 herangeführt, sondern besitzt die abgewinkelte Fläche 8, 9. Diese Abwinkelungen sind nur unterhalb der Fingeröffnungen vorgesehen und durch die radial angeordneten Flächen 10 und 11 (Fig. 2, 4) begrenzt.

Zwischen den beiden Reihen der Fingeröffnungen 6, 7 ist ein freier Raum für die Anordnung der Ziffern 1 bis 0. Diese Ziffern können auf die beispielsweise schwarze Wähltrommel mit weißer Farbe bzw. Leuchtfarbe aufgebracht werden. Der äußere Mantel kann aber auch mit den Zahlen entsprechenden Vertiefungen versehen werden, die mit weißer bzw. Leuchtfarbe ausgefüllt werden. Ein weiterer Weg zur Erstellung der Ziffern besteht darin, dass diese in einem Mehrfachspritzverfahren hergestellt werden, z.B. in der Weise, dass die Wähltrommel im ersten Arbeitsgang mit den Zahlen bzw. den Zeichen entsprechenden Hohlräumen gespritzt wird und diese Hohlräume in einem zweiten Arbeitsgang mit andersfarbiger Spritzmasse ausgespritzt werden. Die umgekehrte Reihenfolge ist ebenfalls anwendbar, d.h. man kann erst die Ziffern oder Zeichen spritzen und diese, die zweckmäßig durch Stege zu einem Spritzteil zusammengefasst sind, dann in einem zweiten Arbeitsgang mit der Wähltrommel umspritzen.

Der in Fig. 3 linksseitig dargestellte weitschraffierte Raum bildet das Oberteil der Form und kann nach dem Spritzvorgang ohne Beschädigung der Wähltrommel abgehoben werden.

Der in Fig. 3 kreuzweise schraffierte Raum 13 zwischen den beiden Ziffernreihen 6 und 7 kann einmal mit Isoliermasse ausgefüllt sein. In diesem Fall kann der weitschraffierte rechte Raum in Fig. 3 das Unterteil der Spritzform bilden, das keinerlei bewegliche Teile aufweist, um nach dem Spritzvorgang die Wähltrommel aus dem Unterteil herauszunehmen.

Wird jedoch der Raum 13 als Hohlraum ausgebildet, so muss das hierfür erforderliche Formteil zur Achsmittle hin beweglich sein, damit die Wähltrommel nach dem

Spritzvorgang ohne Beschädigung aus dem Unterteil herausgenommen werden kann.

PATENTANSPRÜCHE:

1. Fernsprechstation mit Nummernschalter, dessen Bedienungsglied die Form eines Zylindermantels aufweist nach Patent 852 400, dadurch gekennzeichnet, dass die breiteste Stelle der Fingeröffnungen bzw. muldenförmigen Vertiefungen bis an den Rand des Zylindermantels heranreichen.
2. Fernsprechstation nach Anspruch 1, dadurch gekennzeichnet, dass die Wähltrommel aus spritzbarer Isoliermasse, beispielsweise Polystyrol, hergestellt ist.
3. Fernsprechstation nach Anspruch 1, dadurch gekennzeichnet, dass die muldenförmigen Vertiefungen zur Wähltrommelmitte und nach innen halbkreisförmig ausgebildet sind.
4. Fernsprechstation nach Anspruch 1, dadurch gekennzeichnet, dass die muldenförmigen Vertiefungen annähernd gleichwandig ausgeführt sind.
5. Fernsprechstation nach Anspruch 1, dadurch gekennzeichnet, dass der Raum (13) zwischen den beiden Reihen der Fingeröffnungen bzw. muldenförmigen Vertiefungen (6, 7) als Hohlraum ausgebildet ist.
6. Fernsprechstation nach Anspruch 1, dadurch gekennzeichnet, dass eine unterhalb der einen Ziffernreihe (7) angeordnete Zwischenwand (2) das Innere der Wähltrommel in zwei ungleich große Räume unterteilt.
7. Fernsprechstation nach Anspruch 6, dadurch gekennzeichnet, dass die Zwischenwand (2) im Bereich der Ziffernreihe (7) abgewinkelte Zwischenwände (8 bis 11) besitzt, durch welche unterhalb der Ziffernreihe (7) ein Hohlraum gebildet wird.
8. Fernsprechstation nach Anspruch 1, dadurch gekennzeichnet, dass zwischen den beiden Reihen der Fingeröffnungen bzw. muldenförmigen Vertiefungen (6, 7) die Ziffern der Wähltrommel vorgesehen sind.
9. Fernsprechstation nach Anspruch 8, dadurch gekennzeichnet, dass die Ziffern farbig bzw. in Leuchtschrift auf die Trommel aufgebracht oder in Vertiefungen entsprechend den Ziffern ausgelegt oder im Mehrfachspritzverfahren erstellt werden.

Hierzu 1 Blatt Zeichnungen

5645 1.53



Patent Specification

Erteilt auf Grund des Ersten Überleitungsgesetzes vom 8. Juli 1949
(WiGBI. S. 175)

BUNDESREPUBLIK DEUTSCHLAND



AUSGEGEBEN AM
22. JANUAR 1953 [SA]

DEUTSCHES PATENTAMT

PATENTSCHRIFT

Nr. 864 106

KLASSE 21a³ GRUPPE 16⁴⁰

S 22856 VIIIa/21a³

Bernhard Jörgensen, Berlin-Siemensstadt
ist als Erfinder genannt worden

Siemens & Halske Aktiengesellschaft, Berlin und München

Fernsprechstation mit Nummernschalter

Zusatz zum Patent 852 400

Patentiert im Gebiet der Bundesrepublik Deutschland vom 9. Mai 1951 an

Das Hauptpatent hat angefangen am 24. Juni 1949

Patentanmeldung bekanntgemacht am 15. Mai 1952

Patenterteilung bekanntgemacht am 4. Dezember 1952

864 106 [Seite 2]

Das Patent 852 400 betrifft eine Fernsprechstation mit Nummernschalter, bei dem das Bedienungsglied die Form eines zylindrischen Mantels aufweist, der auf einem dem Benutzer zugekehrten Teil seines Umfanges die Fingeröffnungen enthält und um eine zur Standfläche der Station parallele Achse drehbar ist.

Die Erfindung stellt eine Weiterbildung der Anordnung nach dem Hauptpatent dar und besteht darin, dass die Höhe der Station im wesentlichen durch den Nummernschalter mit zylinderförmigem Bedienungsglied bestimmt ist und ein senkrecht stehendes Magnetsystem des Weckers in dem durch die Zylinderfläche und die Grundplatte begrenzten Raum hinter dem Nummernschalter angeordnet ist und die Weckerschalen in den Raum neben dem Nummernschalter hineinragen.

Durch die Erfindung wird erreicht, dass bei der durch den zylindrischen Nummernschalter bestimmten Höhe der Station nur eine verhältnismäßig kleine Grundplatte mit übersichtlich und leicht zugänglichen Bauteilen der Station erforderlich ist.

In der Zeichnung ist ein Ausführungsbeispiel der Erfindung gezeigt. In

Fig. 1 ist die Grundplatte der Station mit den einzelnen Bauteilen in Draufsicht dargestellt;

Fig. 2 zeigt die Station im Schnitt A-B mit aufgesetzter Stationskappe ohne Mikrotelefon;

Fig. 3 stellt die Vorderansicht der Station dar mit teilweiser geschnittener Grundplatte und Gehäuse.

Die Grundplatte 1 besitzt im Mittelteil einen kastenartigen Aufbau mit den Wänden 2, 3, 4 und 5. Die rechte Wand 2 des kastenartigen Aufbaues ist hochgezogen und an der oberen Kante halbkreisförmig ausgebildet. Zwischen Wand 2 und dem Seitenteil der Kappe 7 ist nur ein sehr geringer Zwischenraum vorhanden.

Die linke Wand 4 mit horizontaler Oberkante reicht nur um einen geringen Teil höher als die Achsmittle der Zylindermantels 6. Die linke Seite der Gehäusekappe 7 liegt auf das halbkreisförmige Gehäuse 8 des Nummernschalters auf. Zwischen Vorderwand 3 und Kappe 7 sorgt der Anschlag 23 für einen Abschluss und bis auf die Hinterwand 5 reicht die Zwischenwand 24 der Kappe 7. Bei aufgesetzter Kappe 7 sind also die Einbauteile der Station so abgedichtet, dass die Gefahr einer Verstaubung der inneren Teile weitgehendst vermieden ist.

Hinter dem durch den zylindrischen Nummernschalter bestimmten Raum ist das Weckersystem angeordnet. Auf einen Sockel 9, 10 der Grundplatte 1 sind die Glockenschalen 11, 12 aufgesetzt. Über die Glockenschalen ist ein Joch 13 gelagert. Dieses Joch 13 trägt die Weckerwinden 14, 15 und den Magnetkern 16. Am oberen Ende des Magnetkerns 16 ist die Klöppellagerung 17 befestigt.

Die Glockenschalen 11, 12 ragen mit ungefähr halbem Durchmesser in den Raum neben dem Nummernschalter hinein. Neben dem Nummernschalter sind auf der linken Seite die Anschlussleiste 18 und darunter die Induktionsspule 19 angeordnet. Auf der rechten Seite des Nummernschalters ist der Kondensator 20 befestigt.

Tritt die Forderung auf, dass der Benutzer einer Station in der Lage sein muss, die Sprechverständigung zu verbessern, so muss die Station mit einer Taste ausgerüstet sein, durch welche die Steuerung der hierfür in Frage kommenden Mittel veranlasst wird. Eine derartige Taste 21 ist rechts neben dem Nummernschalter 6 und vor dem Kondensator 20 angeordnet.

Für Fernsprechstation der Nebenstellentechnik ist in bekannter Weise eine Erdungstaste erforderlich. Eine derartige Taste 22 ist bei der vorliegenden Ausführungsform links neben dem Nummernschalter 6 und vor der Anschlussleiste 18 vorgesehen.

PATENTANSPRÜCHE:

1. Fernsprechstation mit Nummernschalter, dessen Bedienungsglied Fingeröffnungen für jede Ziffer aufweist und nach einer Aufzugsbewegung beim Rücklauf die Abgabe einer entsprechenden Anzahl von Stromstößen veranlasst nach Patent 852 400, dadurch gekennzeichnet, dass die Höhe der Station im wesentlichen durch den Nummernschalter mit zylinderfö-

migen Bedienungsglied bestimmt ist und ein senkrecht stehendes Magnetsystem des Weckers in dem durch die Zylinderfläche und die Grundplatte begrenzten Raum hinter dem Nummernschalter angeordnet ist und nur die Weckerwinden in den Raum neben dem Nummernschalter hineinragen.

2. Fernsprechstation nach Anspruch 1, dadurch gekennzeichnet, dass die Weckerwinden (11/12) mit der Öffnung zur Grundplatte (1) angeordnet sind.
3. Fernsprechstation nach Anspruch 2, dadurch gekennzeichnet, dass in dem Raum zu beiden Seiten des zylindrischen Nummernschalters (6) weitere Bauelemente der Station eingebaut sind.
4. Fernsprechstation nach Anspruch 3, dadurch gekennzeichnet, dass auf der einen Seite des zylindrischen Nummernschalters (6) die Anschlussleiste (18) und Drosselspule (19) angeordnet sind und auf der anderen Seite des Nummernschalters (6) der Kondensator (20) auf die Grundplatte (1) befestigt ist.
5. Fernsprechstation nach Anspruch 4, dadurch gekennzeichnet, dass die Drosselspule (19) und die Anschlussleiste (18) übereinander angeordnet sind.
6. Fernsprechstation mit Tasten nach Anspruch 3, dadurch gekennzeichnet, dass auf der einen oder auf beiden Seiten des Nummernschalters Tasten (21/22) zur Einleitung besonderer Schaltvorgänge angeordnet sind.

Hierzu 1 Blatt Zeichnungen

5645.53



Patent Specification

Erteilt auf Grund des Ersten Überleitungsgesetzes vom 8. Juli 1949
(WiGBI. S. 175)

BUNDESREPUBLIK DEUTSCHLAND



DEUTSCHES PATENTAMT

PATENTSCHRIFT

Nr. 864 107

KLASSE 21a³ GRUPPE 16⁴⁰

S 22857 VIIIa/21a³

Bernhard Jörgensen, Berlin-Siemensstadt
ist als Erfinder genannt worden

Siemens & Halske Aktiengesellschaft, Berlin und München

Fernsprechstation mit Nummernschalter

Zusatz zum Patent 852 400

Patentiert im Gebiet der Bundesrepublik Deutschland vom 9. Mai 1951 an

Das Hauptpatent hat angefangen am 24. Juni 1949

Patentanmeldung bekanntgemacht am 15. Mai 1952

Patenterteilung bekanntgemacht am 4. Dezember 1952

864 107 [page 2]

Das Patent 852 400 betrifft eine Fernsprechstation mit Nummernschalter, bei dem das Bedienungsglied die Form eines zylindrischen Mantels aufweist, der auf einem dem Benutzer zugekehrten Teil seines Umfangs die Fingeröffnungen enthält und um eine zur Standfläche der Station parallele Achse drehbar ist.

Die Erfindung stellt eine Weiterbildung der Anordnung nach dem Hauptpatent dar und besteht darin, dass der Nummernschalter mit seinem zylindrischen Bedienungsglied auf die Grundplatte befestigt ist und eine Kappe mit dem für den Nummernschalter erforderlichen Ausschnitt auf die Grundplatte aufgesetzt wird.

Durch die Erfindung wird erreicht, dass bei einer Tischstation nach dem Hauptpatent die einzelnen Bauelemente auch bei abgenommener Gehäusekappe auf die Grundplatte der Station betriebsfähig angeordnet sind.

In der Zeichnung ist ein Ausführungsbeispiel der Erfindung gezeigt. In

Fig. 1 ist die Grundplatte der Station mit den einzelnen Bauteilen in Draufsicht dargestellt;

Fig. 2 zeigt die Station im Schnitt A-B mit aufgesetzter Stationskappe ohne Mikrotelefon;

Fig. 3 stellt die Vorderansicht der Station dar mit teilweiser geschnittener Grundplatte und Gehäuse.

Die Grundplatte 1 besitzt im Mittelteil einen kastenartigen Aufbau mit den Wänden 2, 3, 4 und 5. Die rechte Wand 2 des kastenartigen Aufbaues ist hochgezogen und an der oberen Kante halbkreisförmig ausgebildet. Zwischen Wand 2 und dem Seitenteil der Kappe 7 ist nur ein sehr geringer Zwischenraum vorhanden.

Die linke Wand 4 mit horizontaler Oberkante reicht nur um einen geringen Teil höher als die Achsmitte des Zylindermantels 6. Die linke Seite der Gehäusekappe 7 liegt auf das halbkreisförmige Gehäuse 8 des Nummernschalters auf. Zwischen Vorderwand 3 und Kappe 7 sorgt der Anschlag 23 für einen Abschluss, und bis auf die Hinterwand 5 reicht die Zwischenwand 24 der Kappe 7. Bei aufgesetzter Kappe 7 sind also die Einbauteile der Station so abgedichtet, dass die Gefahr einer Verstaubung der inneren Teile weitgehendst vermieden ist.

Hinter dem durch den Nummernschalter bestimmten Raum ist das Weckersystem angeordnet. Auf einen Sockel 9, 10 der Grundplatte 1 sind die Glockenschalen 11, 12 aufgesetzt. Über die Glockenschalen ist ein Joch 13 gelagert. Dieses Joch 13 trägt die Weckerspulen 14,

15 und den Magnetkern 16. Am oberen Ende des Magnetkerns 16 ist die Klöppellagerung 17 befestigt.

Die Glockenschalen 11, 12 ragen mit ungefähr halbem Durchmesser in den Raum neben dem Nummernschalter hinein. Neben dem Nummernschalter sind auf der linken Seite die Anschlussleiste 18 und darunter die Induktionsspule 19 angeordnet. Auf der rechten Seite des Nummernschalters ist der Kondensator 20 befestigt.

Tritt die Forderung auf, dass der Benutzer einer Station in der Lage sein muss, die Sprechverständigung zu verbessern, so muss die Station mit einer Taste ausgerüstet sein, durch welche die Steuerung der hierfür in Frage kommenden Mittel veranlasst wird. Eine derartige Taste 21 ist rechts neben dem Nummernschalter 6 und vor dem Kondensator 20 angeordnet.

Für Fernsprechstation der Nebenstellentechnik ist in bekannter Weise eine Erdungstaste erforderlich. Eine derartige Taste 22 ist bei der vorliegenden Ausführungsform links neben dem Nummernschalter 6 und vor der Anschlussleiste 18 vorgesehen.

PATENTANSPRÜCHE:

1. Fernsprechstation mit Nummernschalter, dessen Bedienungsglied Fingeröffnungen für jede Ziffer aufweist und nach einer Aufzugsbewegung beim Rücklauf die Abgabe einer entsprechenden Anzahl von Stromstößen veranlasst, nach Patent 852 400 dadurch gekennzeichnet, dass der Nummernschalter mit seinem zylinderförmigen Bedienungsglied auf die Grundplatte befestigt ist und eine Kappe mit dem für

den Nummernschalter erforderlichen Ausschnitt auf die Grundplatte aufgesetzt wird.

2. Fernsprechstation nach Anspruch 1, dadurch gekennzeichnet, dass der Nummernschalter (6) mit seinem zylinderförmigen Bedienungsglied in einem kastenartigen Aufbau der Grundplatte (1) befestigt ist.
3. Fernsprechstation nach Anspruch 2, dadurch gekennzeichnet, dass die Seitenwände (2, 3, 4 und 5) des kastenartigen Aufbaus in Verbindung mit dem Nummernschaltergehäuse (8) und inneren Kappenkonturen einen abgeschlossenen Raum für die Bauelemente der Station bilden.
4. Fernsprechstation nach Anspruch 2, dadurch gekennzeichnet, dass die Oberkante der einen Seite (2) des Aufbaus halbkreisförmig ausgebildet ist.
5. Fernsprechstation nach Anspruch 4, dadurch gekennzeichnet, dass an der zweiten Seite (3) des Aufbaus mit gerader Oberkante das Gehäuse (8) des Nummernschalters befestigt ist.
6. Fernsprechstation nach Anspruch 5, dadurch gekennzeichnet, dass das Gehäuse (8) des Nummernschalters (6) einen Abschluss mit der Gehäusekappe (7) bildet.

Hierzu 1 Blatt Zeichnungen

5645 1.53



Patent Specification

BUNDESREPUBLIK DEUTSCHLAND



DEUTSCHES PATENTAMT

PATENTSCHRIFT

Nr. 867 701
KLASSE 21a² GRUPPE 27⁰⁴
S 23074 VIIIa/21a²

Bernhard Jörgensen, Berlin-Siemensstadt und
Albert Geese, Berlin-Spandau
sind als Erfinder genannt worden

Siemens & Halske Aktiengesellschaft, Berlin und München

Drucktaste, insbesondere für Fernsprechtischstationen

Patentiert im Gebiet der Bundesrepublik Deutschland vom 10. Mai 1951 an
Patentanmeldung bekanntgemacht am 26. Juni 1952
Patenterteilung bekanntgemacht am 8. Januar 1953

Die Erfindung bezieht sich auf eine Drucktaste, insbesondere für Fernsprechtischstationen, und bezweckt, die Herstellungskosten der Drucktaste mit kleiner Bauhöhe so niedrig wie möglich zu halten. Erreicht wird dieses nach der Erfindung dadurch, dass der Hub des Tastenknopfes nach oben durch Gegenlage des Knopfes an einem Tastenhaltewinkel und nach unten durch Auflage des Tastenknopfes auf eine in einem Schlitz des Tastenknopfes geführte und auf den Haltewinkel aufliegende Metallplatte begrenzt wird.

Durch die Erfindung wird erreicht, dass beim Zusammenbau der einzelnen Teile der Drucktaste nur der Tastenknopf in den Haltewinkel einzuschieben und durch Einlegen der Metallplatte in den Schlitz des Tastenknopfes die Lagerung des Tastenknopfes zu sichern ist. Die Bauhöhe der Drucktaste ist im wesentlichen [sic!] von dem vom Hub abhängigen Haltewinkel abhängig. Weiterhin wird durch die Anordnung die Voraussetzung dafür geschaffen, dass die Bauteile der losen Drucktaste mit ge-

ringer Änderung des Haltewinkels auch für eine in der Arbeitsstellung gesperrte Taste verwendet werden können. In der Zeichnung sind Ausführungsbeispiele der Erfindung dargestellt.

Fig. 1 zeigt eine lose Drucktaste in Vorderansicht, Fig. 2 einen Schnitt der Taste nach Fig. 1; Fig. 3 zeigt die Draufsicht der Drucktaste, und Fig. 4 zeigt den in Fig. 2 angedeuteten Schnitt A-B, durch den die Lage der Metallplatte in dem Schlitz des Tastenknopfes und auf dem unteren Schenkel des Tastenhaltewinkels eindeutig zu ersehen ist;

Fig. 5 zeigt die Änderung des Tastenhaltewinkels für eine in Arbeitslage feststehende Taste.

Als Tastenträger wird ein U-förmig gebogener Haltewinkel mit Mittelsteg 1 und den beiden Schenkeln 2 und 3 verwendet. Der größte Teil des Steges 1 und der untere Schenkel 3 ist mit einem Schlitz 4 versehen. Weiterhin hat der untere

Schenkel 3 einen dem Tastenkörper 6 angepassten Ausschnitt 8. Der obere Schenkel 2 des Haltewinkels besitzt eine Führungsbuchse 7 für den Tastenkopf 6. Der Tastenkopf 6 ist mit einer Betätigungsnase 5 versehen. Diese Betätigungsnase 5 wird in den Schlitz 4 des Tastenhaltewinkels geführt. Die Betätigungsnase 5 liegt an der Oberkante des Schlitzes 4 an, und es wird somit der Tastenhub nach oben begrenzt. Das untere Ende des Tastenkopfes 6 ist mit einem Schlitz 9 versehen. Dieser Schlitz 9 dient zur Gegenlage und Führung der eingelegten und auf den unteren Schenkel 3 des Tastenhaltewinkels aufliegenden Platte 10. Die eingelegte Metallplatte 10 ist mit den Haltenasen 11, 12, 13 und 14 versehen, welche gegen den Umfang des Tastenkopfes 6 anliegen. Durch die Haltenasen wird eine Verlängerung der Metallplatte aus dem Schlitz 9 des Tastenkopfes 6 verhindert.

Das untere Ende des Tastenkopfes 6 besitzt ein Loch 20. In dieses Loch 20 wird eine Spiralfeder 15 eingeschoben. Die Feder 15 liegt einmal im Grund des Loches 20 an, und das andere Mal liegt die Feder auf der eingelegten Metallplatte 10 auf.

In dem unteren Schenkel 3 des U-förmig gebogenen Haltewinkels sind Durchgangslöcher 16, 17 für Befestigungsschrauben vorgesehen. Der Mittelsteg 1 des Tastenhaltewinkels ist zur Befestigung des horizontal liegenden Kontaktfedersatzes 18 verlängert.

Der Tastenkopf 6 wird zweckmäßigerweise aus einem spritzbaren Isolierstoff hergestellt, so dass für die Erstellung des Tastenkopfes nur ein einziger Arbeitsgang erforderlich ist.

Für den Zusammenbau der Drucktaste ist es nur erforderlich, den Tastenkopf 6 durch die Ausnehmung 8 des unteren Schenkels 3 und durch die Führungsbuchse 7 zu stecken und nach Eindrücken der Feder 15 die Platte 10 in den Schlitz 9 des Tastenkopfes 6 einzuschieben und in die in Fig. 4 gezeigte Lage zu bringen. Anschließend wird der Federsatz 18 justiert, und es ist somit die Drucktaste für den Einbau in die Station vorbereitet. Die Montage der Drucktaste kann also mit geringen Kosten durchgeführt werden.

In der Ruhelage der Drucktaste liegt die Betätigungsnase 5 an der Oberkante des Schlitzes 4 an dem Steg 1 an. Wird der Tastenkopf 6 gedrückt, so gleitet die Betätigungsnase 5 in den Schlitz 4 nach unten. Die in dem Loch 20 des Tastenkopfes 6 eingeschobene Feder 15, welche auf der Metallplatte 10 aufliegt, wird zusammengedrückt. Die Betätigungsnase 5 veranlasst die Umschaltung der Kontaktfedern des Kontaktfedersatzes 18. Der Tastenkopf 6 wird nach unten so weit bewegt, bis der Grund des Schlitzes 9 im Tastenkörper 6 auf der Oberkante der eingelegten Metallplatte 10 aufliegt. Es wird also der Hub der Drucktaste nach unten durch die eingelegte Metallplatte 10 und dem Grund des Schlitzes 9 in Tastenkörper 6 begrenzt.

Die Bauhöhe der Drucktaste wird im wesentlichen [sic!] durch den U-förmigen Haltewinkel bestimmt, der seiner-

seits nur von dem erforderlichen Hub und der sehr geringen Länge der Betätigungsnase 5 abhängig ist.

Die in Fig. 1 bis 4 dargestellte Ausführungsform ist für eine sog. lose Taste, die nach dem Drücken durch die Feder 15 wieder in die Ruhelage gebracht wird. Mit geringem Aufwand ergeben die beschriebenen Bauteile eine Drucktaste, die nach dem Drücken in der Arbeitslage gehalten werden. Hierzu ist es nur erforderlich, den Schlitz 4 in den Steg 1 des Tastenhaltewinkels entsprechend Fig. 5 derart zu erweitern, dass die Betätigungsnase 5 des gedrückten Tastenkopfes 6 in die Erweiterung 19 eingedreht werden kann und die Oberkante der Haltenase 5 gegen die Oberkante der Schlitzerweiterung 19 gegenliegt und somit das Hochgehen des Tastenkopfes 6 in die Ruhelage verhindert ist. Die Auslösung der in der Arbeitsstellung gehaltenen Drucktaste wird durch eine kleine Linksdrehung des Tastenkopfes 6 eingeleitet. Nach erfolgter Drehung des Tastenkopfes 6 ist die Betätigungsnase 5 in den Schlitz 4 zurückgeführt, und es kann nunmehr der Tastenkopf 6 nach oben gleiten, bis die Oberkante der Betätigungsnase 5 an die Oberkante des Schlitzes 4 anliegt.

PATENTANSPRÜCHE:

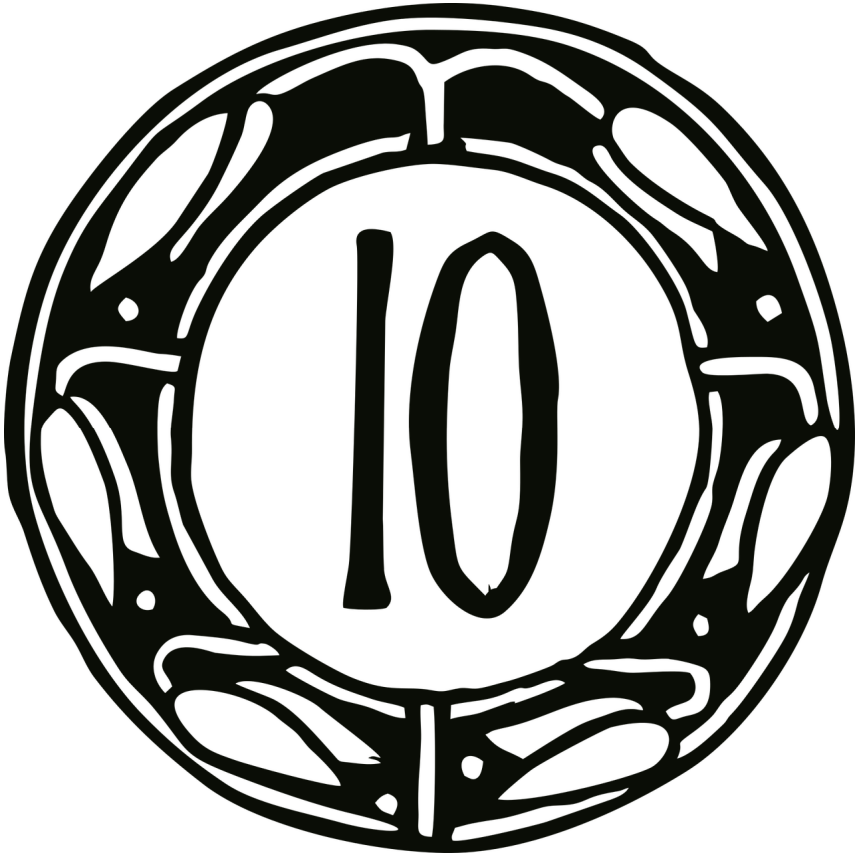
1. Drucktaste, insbesondere für Fernsprechtischstationen, dadurch gekennzeichnet, dass der Hub des Tastenkopfes (6) nach oben durch Gegenlage des Kopfes an einem Tastenhaltewinkel und nach unten durch Auflage des Tastenkopfes (6) auf eine in einem Schlitz (9) des Tastenkopfes (6) geführte und auf dem Haltewinkel aufliegende Metallplatte (10) begrenzt wird.
2. Drucktaste nach Anspruch 1, dadurch gekennzeichnet, dass ein U-förmig gebogener Haltewinkel in dem Steg (1) zwischen den beiden Schenkeln (2, 3) und dem unteren Schenkel (3) mit einem Schlitz (4) zur Führung einer Betätigungsnase (5) des Tastenkopfes (6) versehen ist.
3. Drucktaste nach Anspruch 2, dadurch gekennzeichnet, dass die Oberkante des Schlitzes (4) den Weg des Tastenkopfes (6) nach oben begrenzt.
4. Drucktaste nach Anspruch 2, dadurch gekennzeichnet, dass in dem oberen Schenkel (2) des U-förmigen Haltewinkels eine Führungsbuchse (7) für den Tastenkopf (6) eingesetzt ist.
5. Drucktaste nach Anspruch 2, dadurch gekennzeichnet, dass der untere Schenkel (3) des U-förmigen Haltewinkels einen dem Tastenkopf (6) angepassten Ausschnitt (8) besitzt.
6. Drucktaste nach Anspruch 2, dadurch gekennzeichnet, dass das untere Ende des Tastenkopfes (6) mit dem Schlitz (9) zur Gegenlage und Führung der eingelegten und auf dem unteren Schenkel (3) des U-förmigen Haltewinkels aufliegenden Metallplatte (10) versehen ist.

867 701

7. Drucktaste nach Anspruch 6, dadurch gekennzeichnet, dass die eingelegte Metallplatte (10) mit Haltenasen (11, 12, 13, 14) versehen ist, die gegen den Umfang des Tastenknopfes (6) anliegen.
8. Drucktaste nach Anspruch 6, dadurch gekennzeichnet, dass die Oberkante der eingelegten Metallplatte (10) und der Grund des Schlitzes (9) im Tastenknopf (6) die Bewegung des gedrückten Tastenknopfes (6) begrenzen.
9. Drucktaste nach Anspruch 2, dadurch gekennzeichnet, dass der Tastenknopf (6) am unteren Ende ein Loch (20) zur Aufnahme einer Rückstellspiralfeder (15) besitzt.
10. Drucktaste nach Anspruch 6 und 9, dadurch gekennzeichnet, dass die im Grund des Loches (20) anliegende Feder (15) auf der eingelegten Metallplatte (1) eine Gegenlage findet.
11. Drucktaste nach Anspruch 2, dadurch gekennzeichnet, dass in dem unteren Schenkel (3) des U-förmigen Haltewinkels Durchgangslöcher (16, 17) für die Befestigung der Drucktaste auf eine Grundplatte einer Station vorgesehen sind.
12. Drucktaste nach Anspruch 2, dadurch gekennzeichnet, dass der Steg (1) des Haltewinkels zur Befestigung eines horizontal liegenden Kontaktfedersatzes (18) verlängert ist.
13. Drucktaste nach Anspruch 2, dadurch gekennzeichnet, dass der Tastenknopf (6) aus einem spritzbaren Isolierstoff hergestellt ist.
14. Drucktaste nach Anspruch 2, dadurch gekennzeichnet, dass der Schlitz (4) im Steg (1) des Haltewinkels derart erweitert ist, dass die Betätigungsnase (5) des gedrückten Tastenknopfes (6) in die Erweiterung (19) eingedreht und in der gedrückten Lage gehalten wird.

Hierzu 1 Blatt Zeichnungen

5712 2.53



Patent Specification

Erteilt auf Grund des Ersten Überleitungsgesetzes vom 8. Juli 1949
(WiGBl. S. 175)

BUNDESREPUBLIK DEUTSCHLAND



DEUTSCHES PATENTAMT

PATENTSCHRIFT

Nr. 874 156

KLASSE 21a² GRUPPE 20₀₁

S 23054 VIIIa/21a²

Bernhard Jörgensen, Berlin-Siemensstadt
ist als Erfinder genannt worden

Siemens & Halske Aktiengesellschaft, Berlin und München

Fernsprechtischstation mit in Längsrichtung über dem Nummernschalter
gelagertem Mikrotelefon

Patentiert im Gebiet der Bundesrepublik Deutschland vom 9. Mai 1951 an
Patentanmeldung bekanntgemacht am 14. August 1952
Patenterteilung bekanntgemacht am 12. März 1953

Die Erfindung bezieht sich auf eine Fernsprechtischstation mit in Längsrichtung über dem Nummernschalter gelagerten Mikrotelefon. Die Erfindung bezweckt, bei Fernsprechtischstationen der vorgenannten Art bei einer sicheren Auflage der Telefonseite des Mikrotelefons die Übertragung der durch Hörerabnehmen bzw. -auflegen eingeleiteten Umschaltungen auf den hierfür vorgesehenen Kontaktfedersatz ohne Überwindung größerer Reibungskräfte durchzuführen. Erreicht wird dieses dadurch, dass der für die Auflage der Telefonseite des Mikrotelefons dienende Tragkörper der Form des Telefongehäuses angepasst und auf einer waagerechten Achse drehbar gelagert ist und ein durch die Drehbewegung des Tragkörpers gesteuerter Kontaktfedersatz un-

ter der Gehäusekappe die Stationsumschaltungen durchführt.

Durch die Erfindung ist das Mikrotelefon in dem Tragkörper mit Sicherheit gelagert, und es sind an Reibungskräften nur die in den Lagerstellen der drehbaren Achse auftretenden geringen Kräfte zu überwinden.

In der Zeichnung ist ein Ausführungsbeispiel der Erfindung dargestellt.

Fig. 1 zeigt die Fernsprechtischstation im Schnitt;

Fig. 2 zeigt eine Draufsicht der Station mit abgenommenem Mikrotelefon;

874 156 [page 2]

Fig. 3 zeigt den vom Tragkörper gesteuerten Kontaktfedersatz in seiner Arbeitsstellung (das Mikrotelefon ist abgenommen),

Fig. 4 demgegenüber in Ruhestellung (das Mikrotelefon ist aufgelegt).

Auf den Weckersäulen 1, 2 der Grundplatte 3 sind die Weckerschalen 4, 5 gelagert. Das darüber angeordnete Joch 6 trägt den Federsatz 7 mit den Betätigungsfedern 8, 9 und 10 (Fig. 3 und 4). Die beiden Federn 9, 10 sind

an dem Haltewinkel 11 befestigt. Der Haltewinkel 11 ist gleichzeitig Träger des Kontaktfedersatzes 7. Die vom Kontaktbetätigungshebel 12 gesteuerte Feder besteht aus den beiden Teilen 8 und 10. Der eine Teil 8 ist aus Federmaterial hergestellt und besitzt an seinem freien Ende einen Ausschnitt 13, der zur Halterung des zweiten Teiles 8 dient. Dieser zweite Teil 8 ist aus nicht-federndem Material hergestellt. In dem Ausschnitt 13 des ersten Federteiles 10 ragt ein Lappen 14 des zweiten Teiles 8. Der zweite Teil 8 besitzt einen abgewinkelten

Lappen 15 mit einem Ausschnitt 16 für den ersten Federteil 10. Über diesem Federteil 10 ist der Teil 8 aufgeschoben und lediglich durch die beiden abgewinkelten Lappen 14, 15 in seiner Lage festgehalten.

Der Teil 8 besitzt an dem freien Ende den Angriffspunkt für den Kontaktbetätigungshebel 12. Der Kontaktbetätigungshebel 12 ist unterhalb der Achse 17 an den Tragkörper 18 für die Telefonseite des Mikrotelefon ange-schraubt (Fig. 1). Die hierfür benutzte Schraube 19 greift in ein Gewinde der Achse 17 ein, so dass durch diese eine Schraube nicht nur der Betätigungshebel 12 mit dem Tragkörper 18 verbunden wird, sondern auch gleichzeitig die Achse 17 im Tragkörper 18 festgesetzt wird. Die waagrecht angeordnete Achse ragt auf beiden Seiten des Tragkörpers 18 hervor, und diese hervorstehenden Enden sind in einer Achsenschele 20 mit den beiden Lagerstellen 21, 22 drehbar angeordnet. Die Lagerschele 20 wird durch eine Schraube 23 mit der Gehäusekappe 24 verbunden. Weiterhin besitzt die Lagerschele 20 die beiden Führungsstifte 25, 26, welche in Vertiefungen der Gehäusekappe 24 eingreifen und somit ein Verdrehen der Achslagerung verhindern.

Der mit der Achse 17 versehene Tragkörper 18 ist durch eine Öffnung 27 in der Rückwand der Gehäusekappe 24 geführt und ist dann derart abgewinkelt, dass die Auf-lagestelle der Telefonseite des Mikrotelefon 28 vor der Achse 17 des Tragkörpers 18 liegt. Der Tragkörper 18 ist an der Vorderkante 29 so hoch gezogen, dass er mit Sicherheit ein Abrutschen des schräg über dem Num-merschalter 30 gelagerten Mikrotelefon 28 verhindert. Auch in der Gestaltung der Seitenwände ist der Trag-körper 18 weitgehend der Form der Telefonseite des Mikrotelefon 28 angepasst. Auch die Grundfläche des Tragkörpers 18 folgt annähernd der Form der Telefon-vorderseite.

Die Seitenwände des Tragkörpers 18 können Ausneh-mungen aufweisen, die gestatten, dass das Mikrotelefon 28 auch quer zur Tischstation auf den Tragkörper 18 auf-gelegt werden kann.

Die Gehäusekappe 24 ist mit einer kreisförmigen Erhö-hung 31 versehen. Gegen diese Erhöhung liegt der Trag-körper 18 bei aufgelegtem Mikrotelefon 28 auf und bil-det den Anschlag für die Drehbewegung des Tragkörpers 18.

Das die Achse 17 tragende Ende des Tragkörpers 18 be-sitzt die beiden Nasen 32, 33, die in der Arbeitslage des Tragkörpers 18 (das Mikrotelefon 28 ist abgenommen) an der Achsschele 20 anliegen und somit ein Anschlag in der entgegengesetzten Drehrichtung vorhanden ist.

In der Ruhelage des Tragkörpers 18, d.h. bei aufgelegtem Mikrotelefon 28, wird durch den Betätigungshebel 12 der Federteil 8 die in Fig. 1 gezeigte Stellung einnehmen. Zwischen der Betätigung der Betätigungsfeder 9 und dem Isolierpimpel 34 des Kontaktfedersatzes 7 besteht ein Abstand (Fig. 3 und 4).

Wird das Mikrotelefon 28 abgenommen, so führt der Tragkörper 18 infolge der Federkraft der beiden Federn 9, 10 eine Drehbewegung aus. Bei dieser Drehbewegung wird nach Überbrückung des Abstandes zwischen der Feder 9 und des Isolierpimpels 34 der Federsatz 7 in die Arbeitslage gebracht. Ist diese Arbeitslage mit Sicherheit erreicht, so bleibt die Feder 9 stehen, und die zweiteilige Feder 8, 10 wird noch weiter bewegt, bis der Federteil 8 den Anschlag 35 erreicht. Diese Stellung des Federsatzes 7 mit den Federn 8, 9 und 10 zeigt die Fig. 3. Hier ist ersichtlich, dass in der Arbeitslage des Federsatzes 7 zwischen der Feder 9 ein Abstand besteht.

Wird das Mikrotelefon 28 aufgelegt (Fig. 4) und somit der Tragkörper 18 um die Achse 17 gedreht, so wird der Betätigungsarm 12 den Federteil 8 von dem Anschlag 35 abheben und in Richtung zur Rückwand der Station be-wegen. Im ersten Teil dieser Bewegung wird der Feder-satz 7 nicht betätigt, erst dann, wenn der zurückgehen-de Federteil 10 die Feder 9 erreicht hat, folgt der auf-liegende Pimpel 34 der Bewegung der Feder 9 und ver-anlasst die Umschaltung des Federsatzes 7. Erreicht der Federsatz 7 seine Ruhelage, so führt die Feder 8 noch eine kurze Bewegung aus, so dass der Abstand zwischen Pimpel 34 und Feder 9 wiederhergestellt ist. In der Ruhe-lage des Federsatzes sind die Kontaktfedern der Arbeits-kontakte in entspannter Lage.

Der Träger 11 für die Federn 8, 9 und 10 wird gleichzeitig als Träger des Kontaktfedersatzes 7 benutzt. Auch der Anschlag 35 für den Federteil 8 ist ein Teil des Trägers 11.

PATENTANSPRÜCHE:

1. Fernsprechtischstation mit in der Längsrichtung über dem Nummernschalter gelagertem Mikrotelefon, dadurch gekennzeichnet, dass der für die Auflage der Telefonseite des Mikro-telefon dienende Tragkörper (18) der Form des Telefongehäuses angepasst und auf einer waagerechten Achse (17) drehbar gelagert ist und ein durch die Drehbewegung des Trag-körpers (18) gesteuerter Kontaktfedersatz unter der Gehäuse-

874 156 [page 3]

kappe (24) die Stationsumschaltungen durchführt.

2. Fernsprechtischstation nach Anspruch 1, dadurch gekennzeichnet, dass die Auflagestelle der Telefonseite des Mikrotelefon (28) in dem Tragkörper (18) vor der Achse (17) liegt.
3. Fernsprechtischstation nach Anspruch 1, da-durch gekennzeichnet, dass der mit der Achse versehene Tragkörper (18) durch eine Öffnung

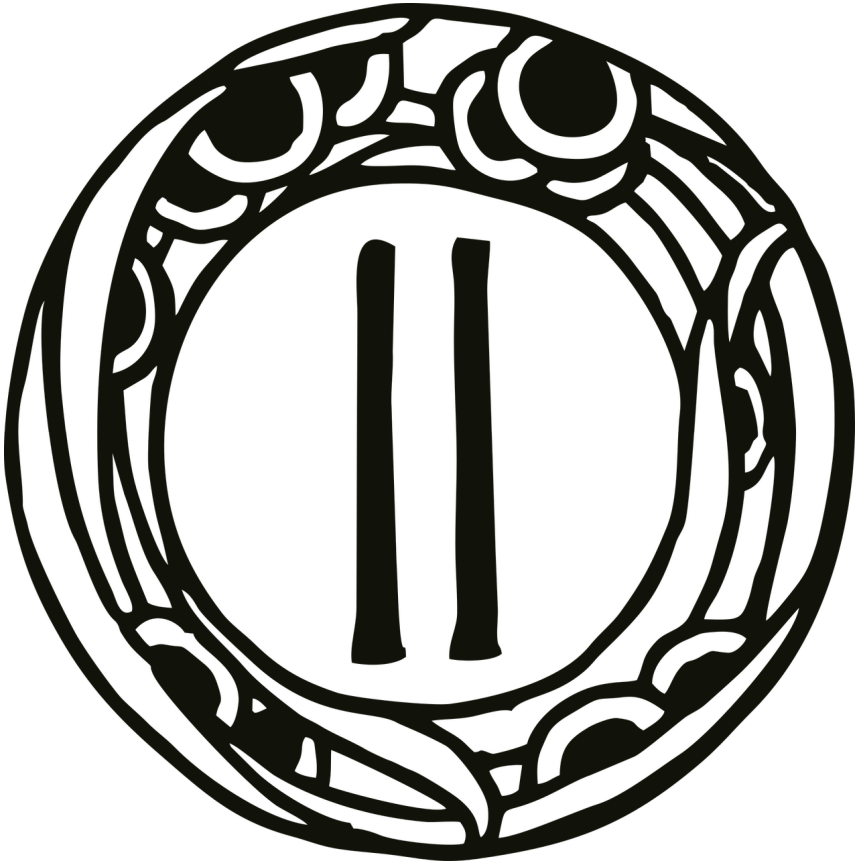
(27) in der Rückwand der Gehäusekappe (24) geführt ist.

4. Fernsprechtischstation nach Anspruch 1, da-durch gekennzeichnet, dass die Gehäuse-kappe (24) mit einem Ansatz (31) zur Begren-zung der Drehbewegung des Tragkörpers (18) beim Auflegen des Mikrotelefon (28) ver-sehen ist.

5. Fernsprechtischstation nach Anspruch 1, dadurch gekennzeichnet, dass die Seitenwände des Tragkörpers (18) Ausnehmungen für eine Querlage des Mikrotelefons (28) aufweisen.
6. Fernsprechtischstation nach Anspruch 3, dadurch gekennzeichnet, dass die Achse (17) im Tragkörper (18) fest gelagert ist.
7. Fernsprechtischstation nach Anspruch 6, dadurch gekennzeichnet, dass die feste Lagerung der Achse (17) durch eine Schraube (19) erfolgt, durch welche auch der Kontaktbetätigungshebel (12) mit dem Tragkörper (18) verbunden ist.
8. Fernsprechtischstation nach Anspruch 6, dadurch gekennzeichnet, dass die an beiden Seiten des Tragkörpers (18) hervorstehenden Enden der Achse (17) in eine Schelle (20) gelagert sind.
9. Fernsprechtischstation nach Anspruch 3 und 8, dadurch gekennzeichnet, dass der Tragkörper mit der auf die Achse (17) geschobenen Schelle (20) durch die Öffnung (27) in der Rückwand der Gehäusekappe (24) eingesetzt wird.
10. Fernsprechtischstation nach Anspruch 8, dadurch gekennzeichnet, dass die Schelle (20) der Achse (17) mit einer Schraube (23) an der Gehäusekappe (24) befestigt und durch Führungsstifte (25, 26) gegen Verdrehung gesichert ist.
11. Fernsprechtischstation nach Anspruch 3, dadurch gekennzeichnet, dass der mit der Achse (17) versehene Tragkörper (18) mit Anschlagnasen (32, 33) zur Begrenzung der Drehbewegung des Tragkörpers (18) beim Abnehmen des Mikrotelefons versehen ist.
12. Fernsprechtischstation nach Anspruch 11, dadurch gekennzeichnet, dass die Anschlagnasen (32, 33) des Tragkörpers (18) bei abgenommenem Mikrotelefon eine Gegenlage an der Schelle (20) der Achse (17) finden.
13. Fernsprechtischstation nach Anspruch 7, dadurch gekennzeichnet, dass der am Tragkörper (18) befestigte Kontaktbetätigungshebel (12) eine zweiteilige Feder (8, 10) steuert und der eine aus Federmaterial bestehende Teil (10) an einem Ende fest gelagert ist und am freien Ende einen Ausschnitt (13) zur Halterung des zweiten, nur aufgeschobenen Teiles (8), welcher aus nichtfederndem Material hergestellt ist, besitzt.
14. Fernsprechtischstation nach Anspruch 13, dadurch gekennzeichnet, dass in dem Ausschnitt (13) des ersten Federteiles (10) ein abgewinkelter Lappen (14) des zweiten Teiles (8), welcher über das freie Ende des ersten Teiles (10) hinausragt, eingeführt ist.
15. Fernsprechtischstation nach Anspruch 14, dadurch gekennzeichnet, dass der aufgeschobene zweite Teil (8) mit einem abgewinkelten Lappen (15) mit einem Ausschnitt (16) für den ersten Federteil (10) versehen ist.
16. Fernsprechtischstation nach Anspruch 13, dadurch gekennzeichnet, dass in der Arbeitslage des Tragkörpers (18) (Mikrotelefon abgenommen) zwischen der zweiteiligen Feder (8, 10) hindurchgeführten Betätigungspimpels (34) ein Abstand vorhanden ist, so dass die Betätigungsfeder (9) des Pimpels (34) nur einen für den Federsatz (7) erforderlichen Hub ausführt.
17. Fernsprechtischstation nach Anspruch 16, dadurch gekennzeichnet, dass in der Arbeitslage des Tragkörpers (18) (Mikrotelefon abgenommen) die zweiteilige Feder (8, 10) gegen einen Anschlag (35) am Träger (11) der zweiteiligen Feder (8, 10), der gleichzeitig als Kontaktfedersatzträger benutzt wird, anliegt.

Hierzu 1 Blatt Zeichnungen

5869 4.53



Patent Specification

Erteilt auf Grund des Ersten Überleitungsgesetzes vom 8. Juli 1949
(WiGBl. S. 175)

BUNDESREPUBLIK DEUTSCHLAND



AUSGEGEBEN AM
18. MAI 1953

DEUTSCHES PATENTAMT

PATENTSCHRIFT

Nr. 876 706

KLASSE 21a² GRUPPE 20₀₁
S 22858 VIIIa/21a²

Bernhard Jörgensen, Berlin-Siemensstadt und
Albert Geese, Berlin-Spandau
sind als Erfinder genannt worden

Siemens & Halske Aktiengesellschaft, Berlin und München

Fernsprechtischstation

Patentiert im Gebiet der Bundesrepublik Deutschland vom 22. April 1951 an
Patentanmeldung bekanntgemacht am 14. August 1952
Patenterteilung bekanntgemacht am 2. April 1953

876 706 [page 2]

Die Erfindung bezieht sich auf eine Fernsprechtischstation mit senkrecht stehendem Weckersystem. Bei derartigen Stationen sind die einzelnen Bauelemente auf einer Grundplatte zu befestigen. Hierzu sind für die einzelnen Bauelemente besondere Träger erforderlich. Die Erfindung bezweckt nun, diese Träger bei günstiger Raumaussnutzung möglichst einfach zu gestalten. Erreicht wird dies nach der Erfindung dadurch, dass das Magnetjoch eines senkrecht stehenden Weckersystems auf die Glockenschalen aufgesetzt und gleichzeitig als Träger des Kontaktfedersatzes für die Stationsumschaltung verwendet wird.

Durch die Erfindung wird erreicht, dass das Magnetjoch einschließlich Kontaktfedersatzträger in einem Arbeitsgang hergestellt werden kann. Darüber hinaus wird der Raum über den Glockenschalen durch den Federsatz und die Weckerspulen weitestgehend ausgenutzt, und es erhält der Kontaktfedersatz ohne Aufwand besonderer Mittel einen durch die Glockenschalen und das Magnetjoch bestimmten Abstand von der Grundplatte, so dass nur eine kurze Hebelübertragung zwischen eine, drehbar gelagerten Mikrotelefonträger und der Betätigungsfeder des waagrecht liegenden Kontaktfedersatzes erforderlich ist.

In der Zeichnung ist ein Ausführungsbeispiel der Erfindung dargestellt.

Fig. 1 zeigt die Grundplatte der Station mit den einzelnen Bauteilen in Draufsicht;

Fig. 2 zeigt die Station im Schnitt A-B mit aufgesetzter Stationskappe ohne Mikrotelefon;

Fig. 3 zeigt die Station ebenfalls in Draufsicht, aber mit aufgesetzter Kappe.

Die Grundplatte 1 besitzt im Mittelteil einen kastenartigen Aufbau mit den Wänden 2, 3, 4 und 5. Die rechte Wand 2 des kastenartigen Aufbaus ist hoch gezogen und an der oberen Kante halbkreisförmig ausgebildet. Zwischen Wand 2 und dem Seitenteil der Kappe 7 ist nur ein sehr geringer Zwischenraum vorhanden.

Die linke Wand 4 mit horizontaler Oberkante reicht nur um einen geringen Teil höher als die Achsmittle des Zylindermantels 6. Die linke Seite der Gehäusekappe 7 liegt auf dem halbkreisförmigen Gehäuse 8 des Nummernschalters auf. Zwischen Vorderwand 3 und Kappe 7 sorgt der Anschlag 23 für einen Abschluss, und bis auf die Hinterwand 5 reicht die Zwischenwand 24 der Kappe 7.

Hinter dem durch den Nummernschalter bestimmten Raum ist das Weckersystem angeordnet. Auf die Sockel 9, 10 der Grundplatte 1 sind die Glockenschalen 11, 12 aufgesetzt. Über die Glockenschalen 11, 12 ist ein Joch 13 gelagert. Am oberen Ende des Magnetkerns 16 ist die Klöppellagerung 17 befestigt.

Das Magnetjoch 13 und die darunterliegenden Glockenschalen 11, 12 besitzen Durchgangslöcher für die Befestigungsschrauben 26, 27, die in die Sockel 9, 10 der Grundplatte 1 eingeschraubt werden.

Für die Befestigung der Spulenkern der Weckerspulen 14, 15 und für die Befestigung des Magneten 16 weist das Magnetjoch Löcher auf, in welche die Kerne bzw. der Magnet eingepresst werden. Das Magnetjoch 13 besitzt an dem einen Ende einen rechtwinklig zur gemeinsamen Achse der beiden Weckerspulen stehenden Lappen, der Gewindelöcher besitzt. In diese Gewindelöcher werden die Schrauben 28, 29 eingeschraubt und somit der waagrecht liegende Kontaktfedersatz 25 festgeschraubt. Die Weckerspulen 14, 15 und der Kontaktfedersatz 25 liegen parallel nebeneinander über den beiden Glockenschalen 11, 12.

Durch Anziehen der beiden Schrauben 26, 27 wird das komplette Weckersystem einschließlich des kompletten Kontaktfedersatzes 25 für die Stationsumschaltung an der Grundplatte befestigt.

Das Magnetjoch 13 besitzt an dem anderen Ende einen über die Befestigungsschraube 27 hinausreichenden Lappen, an dem die beiden Schnüre 30, 31 der Fernsprechtischstation befestigt sind. Die Befestigung kann durch besondere Schnurschellen oder mittels Abbindegarn erfolgen.

PATENTANSPRÜCHE:

1. Fernsprechtischstation mit senkrecht stehendem Weckersystem, dadurch gekennzeichnet, dass das Magnetjoch eines senkrecht stehenden Weckersystems auf die Glockenschalen auf-

gesetzt und gleichzeitig als Träger des Kontaktfedersatzes für die Stationsumschaltung verwendet wird.

2. Fernsprechtischstation nach Anspruch 1, dadurch gekennzeichnet, dass das Magnetjoch (13) und die darunterliegenden beiden Weckerschalen (11, 12) Durchgangslöcher für die Schrauben (26, 27) besitzen, welche in die Sockel (9, 11) der Grundplatte (1) eingeschraubt werden.
3. Fernsprechtischstation nach Anspruch 2, dadurch gekennzeichnet, dass das Magnetjoch (13) Löcher zur Halterung der Spulenkern der Weckerspulen (14, 15) und des Magneten (16) aufweist.
4. Fernsprechtischstation nach Anspruch 1, dadurch gekennzeichnet, dass das Magnetjoch (13) einen zur gemeinsamen Mittellinie der beiden Magnetspulen (14, 15) rechtwinklig stehenden Lappen besitzt, an dem der waagrecht liegende Kontaktfedersatz (25) für die Stationsumschaltung befestigt ist.
5. Fernsprechtischstation nach Anspruch 4, dadurch gekennzeichnet, dass die beiden Magnetspulen (14, 15) und der Kontaktfedersatz (25) parallel nebeneinanderliegend über den beiden Weckerschalen (11, 12) angeordnet sind.
6. Fernsprechtischstation nach Anspruch 1, dadurch gekennzeichnet, dass das eine Ende des Magnetjoches (13) mit einem über die Befestigungsstelle (Schraube 27) hinausragenden Lappen zur Befestigung der Apparateschnüre (30, 31) versehen ist.

Hierzu 1 Blatt Zeichnungen

5001 5:93



Patent Specification



AUSGEGEBEN AM
13. JUNI 1955

DEUTSCHES PATENTAMT

PATENTSCHRIFT

Nr. 928 899

KLASSE 21a³ GRUPPE 62₀₁

5 36618 VIIIa/21a³

Walter Paul, München und Wilhelm Eissfeldt, München
sind als Erfinder genannt worden

Siemens & Halske Aktiengesellschaft, Berlin und München

Rufnummeranzeigevorrichtung für Fernsprechstationen

Patentiert im Gebiet der Bundesrepublik Deutschland vom 5. Dezember 1953 an
Patentanmeldung bekanntgemacht am 18. November 1954
Patenterteilung bekanntgemacht am 18. Mai 1955

Die Erfindung betrifft eine vom Nummernschalter angetriebene Anzeigevorrichtung für die gewählte Rufnummer an Fernsprechstationen. Es sind bereits Anordnungen bekannt, bei denen bei jedem Aufzug des Nummernschalters ein Zeiger oder eine mit dem Nummernschalter gekuppelte Zifferscheibe mitgenommen wird und auf der gewählten Ziffer bis zum nächsten Aufzug stehenbleibt. Bei anderen Anordnungen werden mehrere Zifferscheiben über Getriebe, entsprechend der gewählten Rufnummer, eingestellt und gerastet und nach Entlastung durch Rückstellfedern in die Ausgangslage gebracht. Die bekannten Einrichtungen zeigen entweder immer nur die zuletzt gewählte Ziffern an und erfüllen damit nicht vollständig die an sie gestellten Anforderungen, oder sie bedingen einen großen Aufwand an Einzelteilen, was wiederum die Anlage unverhältnismäßig verteuert. Zudem wird ein so großer Raum zum Einbau

der Anzeigevorrichtung benötigt, wie er meistens nicht zur Verfügung steht.

Die Erfindung bezweckt die Schaffung einer einfachen und billigen Anzeigevorrichtung für Fernsprechstationen unter Vermeidung der Nachteile der bekannten Anordnungen und erreicht dies dadurch, dass als Träger für die Ziffern federnde, nacheinander auf einer gemeinsamen Achse spiralg aufgewickelte Bänder dienen, die im Gehäuse hinter einem Fenster vorbeilaufend angeordnet sind, nacheinander um eine der gewählten Ziffern entsprechende Strecke mitgenommen und in dieser Stellung gerastet werden, aus der sie bei Löschung der Anzeige durch ein gemeinsames Glied entrastet werden und infolge ihrer eigenen Spannung in die Ausgangslage zurückkehren.

In der Zeichnung wird ein Ausführungsbeispiel der Anzeigevorrichtung gezeigt.

Fig. 1 zeigt eine skizzenhafte Darstellung der Vorrichtung. Die federnden Ziffernbänder 2 sind in Form von Spiralen nebeneinander auf der Achse 8 angeordnet und ihre inneren Enden an der Achse 8 befestigt. Parallel zur Achse 8 verläuft die Achse 9, auf der die Trommel 1 drehbar angeordnet ist. Diese trägt auf ihrem Umfange parallel zur Achse 9 eine Nut, in die dasjenige federnde Zifferband 2 mit seinem hakenförmig abgebogenen Ende 2a eingreift, das von der ihm zugeordneten Feder 3 hochgedrückt wird. Jedes Band 2 trägt einen Pimpel 2b, der im Ausgangszustand auf der Kröpfung 3a einer Feder 3 aufliegt, die mit ihrer zweiten Kröpfung 3b um eine Bandbreite seitlich versetzt dem nächsten Band zugeordnet ist. Die Schiene 4 dient als Anschlagstück, um ein Herausheben der Bänder nach oben zu verhindern. Die Bänder 2 sind mit Aussparungen 2c versehen, die den einzelnen Ziffern zugeordnet sind, und die Grundplatte 6 mit nasenförmigen Gegenstücken 5 zur Rastung der Bänder. Zur Entrastung dient das bei den Nasen 5 liegende Schaltstück 7, das von einem Hebelarm 7a bewegt wird und die Bänder gemeinsam aus dem Bereich der Nase heraushebt. Im Bereich des Sichtfensters 12 werden die Ziffernbänder über ein gewölbtes Leitstück 11 geführt.

Fig. 2 zeigt eine Fernsprechstation mit Zugnummernschalter in Seitenansicht;

Fig. 3 zeigt die in Fig. 2 dargestellte Station in Vorderansicht mit abgenommenem Handapparat.

Die Wirkungsweise der Vorrichtung ist folgende: Bei Aufzug der als Zugnummernschalter ausgebildeten Trommel 1 wird das erste Zifferband 2, das durch die Kröpfung 3b der ihm zugeordneten Blattfeder 3 hochgedrückt wird und mit seinem hakenförmigen Ende 2a in der Nut 10 der Trommel 1 einhakt, mitgenommen. Das Band 2 wird hierbei mit seinem die Ziffern tragenden Teil über das gewölbte Leitstück 11 am Fenster 12 des Gehäuses vorbeigezogen. Am Ende der Aufzugsbewegung rastet das Band mit der der gewählten Ziffer zugeordneten Aussparung 2c in die Nase 5 der Grundplatte 6 ein. Beim Rücklauf der Trommel 1 gleitet das Ende 2a des gerasteten Bandes aus der Nut 10 heraus und fällt auf die Ruhefläche 13 ab. Im Fenster 12 steht die gewählte Ziffer. Der Pimpel 2b des so eingestellten Bandes, der in der Ausgangsstellung auf der Kröpfung 3a der dem nächsten Band zugeordneten Blattfeder aufliegt und diese blockiert hatte, gleitet beim Aufzug des Bandes 2 von der Kröpfung 3a ab und gibt damit diese Feder frei, so dass das Band 2 vorbereitet wird und beim nächsten Aufzug der Trommel 1, durch die um eine Bandbreite versetzte Kröpfung 3b hochgedrückt, mit der Nut 10 zum Eingriff kommt. Das Band 2 wird auf die gleiche Weise eingestellt, und die zweite Ziffer erscheint im Fenster 12. Nach Abgleiten des Pimpels 2b von der dem nächsten Band zugeordneten Feder ist dieses zur Einstellung vorbereitet usw. Am Ende des gesamten Wählvorgangs mit dem Nummernschalter steht die gewählte Rufnummer im Fenster 12. Zu einem beliebigen Zeitpunkt wird ein auf alle Bänder gemeinsam wirkendes Schaltstück 7, beispielsweise am Ende des Gesprächs durch den Hakenumschalter, über den Hebelarm 7a hochgestellt und hebt alle Bänder gemeinsam aus der Rastung aus. Die Bänder bewegen sich zufolge der wie eine aufgezogene

Uhrfeder wirkenden Spirale selbsttätig in die Ausgangslage zurück. Da auf die Kröpfung 3a der dem ersten Band 2 zugeordneten Blattfeder 3 kein Pimpel drückt, ist dieses Band sofort wieder zur Einstellung vorbereitet.

Die Anzeigevorrichtung ist für eine Fernsprechstation mit Zugnummernschalter dargestellt und beschrieben, wobei der Zugnummernschalter gleichzeitig die Funktion der Trommel 1 übernimmt, was eine besonders zweckmäßige Anwendung der Erfindung darstellt. Die Erfindung ist jedoch nicht auf dieses Ausführungsbeispiel beschränkt. Es ist auch ein Einbau in eine Station mit einer Fingerscheibe als Nummernschalterglied möglich, wobei die Übertragung der Bewegung des Nummernschalters auf die Trommel durch ein geeignetes Zwischenglied, beispielsweise ein Kegelradgetriebe, erfolgt.

PATENTANSPRÜCHE:

1. Vom Nummernschalter angetriebene Anzeigevorrichtung für die gewählte Rufnummer an Fernsprechstationen, dadurch gekennzeichnet, dass als Träger für die Ziffern federnde, nebeneinander auf einer gemeinsamen Achse spiralförmig aufgewickelte Bänder dienen, die im Gehäuse hinter einem Fenster vorbeilaufend angeordnet sind, nacheinander um eine der gewählten Ziffer entsprechende Strecke mitgenommen und in dieser Stellung gerastet werden, aus der sie bei Löschung der Anzeige durch ein gemeinsames Glied entrastet werden und infolge ihrer eigenen Spannung in die Ausgangslage zurückkehren.
2. Anzeigevorrichtung nach Anspruch 1, dadurch gekennzeichnet, dass die Bänder auf einem Teil ihres Weges beim Aufzug von einer gewölbten Leitfläche (11) geführt werden.
3. Anzeigevorrichtung nach Anspruch 1, dadurch gekennzeichnet, dass auf eine Trommel (1), deren Rotationsachse (9) parallel zur gemeinsamen Achse (8) der spiralförmigen Ziffernbänder (2) verläuft, die Aufzugs- und Ablaufbewegung des Nummernschalters übertragen wird.
4. Anzeigevorrichtung nach Anspruch 3, dadurch gekennzeichnet, dass die Trommel (1) an ihrem Umfang mit einer parallel zur Trommelachse (9) verlaufenden Nut (10) versehen ist, in die die entsprechend abgebogenen, freien Enden (2a) der Ziffernbänder (2) durch die Federn (3) eingeschoben werden.
5. Anzeigevorrichtung nach Anspruch 4, dadurch gekennzeichnet, dass die Federn (3) durch Pimpel (2b), die auf dem jeweils vorgeordneten Ziffernbänder angeordnet sind, blockiert werden und erst dann zur Wirkung kommen, wenn das vorgeordnete Ziffernbänder durch den Nummernschalter eingestellt worden ist.
6. Anzeigevorrichtung nach Anspruch 1, dadurch gekennzeichnet, dass die einzelnen Bänder

928 899

(2) mit den Ziffern zugeordneten Aussparungen (2c) versehen sind, in die nach Einstellung des Bandes nasenförmige Erhebungen (5) der Grundplatte einrasten.

7. Anzeigevorrichtung nach Anspruch 6, dadurch gekennzeichnet, dass nach erfolgter Rastung eines Ziffernbandes (2) dieses außer Angriff mit der Trommel (1) kommt.

8. Anzeigevorrichtung nach Anspruch 3, dadurch gekennzeichnet, dass die Trommel (1) als Zugnummernschalter ausgebildet ist.

9. Anzeigevorrichtung nach Anspruch 1, dadurch gekennzeichnet, dass die Auslösung des Rücklaufs der Ziffernbänder durch den Hakenumschalter über das Schaltstück (7) bewirkt wird.

Hierzu 1 Blatt Zeichnungen 509 515 6:35



Patent Specification

Erteilt auf Grund des Ersten Überleitungsgesetzes vom 8. Juli 1949
(WiGBl. S. 175)

BUNDESREPUBLIK DEUTSCHLAND



AUSGEGEBEN AM
11. JUNI 1959

DEUTSCHES PATENTAMT

PATENTSCHRIFT

Nr. 972 232

KLASSE 21a² GRUPPE 20₀₁

INTERNAT. KLASSE H 04m -----

S 22490 VIIIa/21a²

Dipl.-Ing. Willi Lohs, Berlin-Siemensstadt,
und Bernhard Jörgensen, Berlin-Siemensstadt
sind als Erfinder genannt worden

Siemens & Halske Aktiengesellschaft, Berlin und München

Fernsprechtischstation

Patentiert im Gebiet der Bundesrepublik Deutschland vom 23. März 1951 an
Patentanmeldung bekanntgemacht am 3. Juli 1952
Patenterteilung bekanntgemacht am 27. Mai 1959

Die Erfindung bezieht sich auf eine Fernsprechtischstation, bei der die einzelnen Baueinheiten an angegossenen Tragstücken der Grundplatte befestigt sind.

Bei bekannten Anordnungen werden mit Gewindelöchern versehene Platten verwendet, auf die die einzelnen vorher montierten Baueinheiten mittels besonderer Befestigungsmittel, wie Winkel u. dgl., befestigt werden. Bei anderen bekannten Anordnungen ist eine Platte mit Tragstücken, die beispielsweise als Lappen oder Sockel ausgebildet sind, versehen, an denen die einzelnen vorher montierten Baueinheiten angebracht werden.

Die Erfindung bezweckt eine wesentliche Vereinfachung in der Fertigung der Station unter Einsparung von Einzelteilen und einer damit verbundenen Arbeitsvereinfachung.

Erreicht wird dies dadurch, dass die auf der Grundplatte anzuordnenden Induktionsspule, das Weckersystem und gegebenenfalls der Station zugeordnete Tasteneinrichtungen sich zusammensetzen aus mit der Grundplatte aus einem Material gegossenen, gleichzeitig als Tragstücke maßhaltig ausgebildeten Teilen und aus einfügbaren losen Teilen, derart, dass allein durch Einfügen und Festlegen der einfügbaren Teile entsprechend der gegebenen Maßhaltigkeit jeweils eine funktionsfähige Baueinheit entsteht.

Die erfindungsgemäße Anordnung hat dem Bekannten gegenüber den Vorteil, dass ein Zusammenbau der Baueinheiten vor ihrer Montage auf der Grundplatte entfällt. Ist ferner irgend ein Teil einer Baueinheit

909 532/24

beschädigt, so ist es nicht erforderlich, die ganze Einheit auszuwechseln, es genügt vielmehr, wenn man das beschädigte Teil der Baueinheit austauscht.

In den Zeichnungen sind Ausführungsbeispiele der Erfindung dargestellt.

Fig. 1 bis 7 zeigen eine Fernsprechstation mit flach auf der Grundplatte aufmontiertem Wecker;

Fig. 8 und 9 zeigen eine Fernsprechstation mit einem auf der Grundplatte aufgebauten Trommelwählschalter und senkrecht gestelltem Weckersystem.

Fig. 1 zeigt die Grundplatte 1 in Draufsicht,

Fig. 2 einen Schnitt A-B in Fig. 1,

Fig. 3 einen Schnitt C-D in Fig. 1,

Fig. 4 einen Schnitt E-F in Fig. 1,

Fig. 5 einen Schnitt G-H in Fig. 1,

Fig. 6 einen Schnitt J-K in Fig. 1,

Fig. 7 einen Schnitt L-M,

Fig. 8 zeigt die Grundplatte 7 in Draufsicht und

Fig. 9 einen Schnitt O-P in Fig. 8.

Sämtliche Schnitte sind in Pfeilrichtung gesehen dargestellt. Die Grundplatten 1 und 7 sind stark ausgezogen dargestellt, während die zugehörigen Bauteile nur gestrichelt angedeutet sind.

Die Grundplatte 1 in Fig. 1 bis 7 kann als Spritzgussteil bzw. Pressstoffteil hergestellt sein. Dieses Teil besitzt besondere Trägerelemente für die Anschlussleiste 2 in Fig. 1 und 2, für die Induktionsspule 3 in Fig. 1 und 3, für das Weckersystem 4 in Fig. 1 bis 5 und für den Kontaktfedersatz des Umschalters 6 in Fig. 1 und 2. Darüber hinaus weist die Grundplatte auch Trägerelemente für einen Rundkondensator 5 in Fig. 1 und für eine Taste 41 bis 45 in Fig. 1 und 6 auf.

Als Träger für die Anschlussleiste 2 in Fig. 1 und 2 sind pultförmige Angüsse 15-16 vorgesehen, die Gewindeflöcher zur Befestigung der glatten Isolierstoffplatte der Anschlussleiste 2 besitzen. Weiterhin sind an die Grundplatte 1 besondere Unterstützungssockel 18-19 angegossen, durch welche ein Durchbiegen der dünnen Isolierstoffplatte der Anschlussleiste 2 beim Anschrauben der Anschlussleistungen verhindert ist.

Für die Lagerung der Induktionsspule 3 in Fig. 1 und 3 sind an die Grundplatte 1 die Trägerklötze 20-21 angegossen, welche senkrechte Nuten zur Aufnahme der Eisenbleche der Induktionsspule besitzen. Als Eisenbleche für die Induktionsspule werden zweckmäßigerweise L-förmige Kernbleche verwendet. Ein Satz diese L-förmigen Kernbleche wird mit dem kurzen Schenkel nach oben gerichtet in die senkrechten Nuten der Trägerklötze 20-21 eingeschichtet. In den Pressstoffkörper der Spule sind ebenfalls L-förmige Kernbleche eingeschoben. Der Spulenkörper mit den eingeschobenen Kernblechen wird nun derart auf die in die Trägerklötze 20-21 eingeschichteten Kernbleche aufgesetzt, dass auf den langen Schenkel der eingeschichteten Kernbleche der kurze Schenkel der in die Spule eingeschobenen Kernbleche und auf den kurzen Schenkel der eingeschichteten Kernbleche der lange Schenkel der Spulenbleche aufliegt. Zwischen den beiden Aufgestellen der Kernbleche kön-

nen Isolierplättchen zur Bestimmung des magnetischen Widerstandes des Eisenkernes eingeschichtet werden.

Der eine Trageklötz 20 der Induktionsspule 3 besitzt eine Mulde 22, in welche die Nummernschalterschnur eingelegt werden kann. Nach eingesetzter Induktionsspule werden die glatten Haltebleche 23-24 an die Tragklötze 20-21 angeschraubt und somit die Induktionsspule 3 festgeklemmt. Durch Anschrauben des Haltebleches 23 wird gleichzeitig die Nummernschalterschnur gehalten.

Für die Lagerung der Weckerspulen sind einmal die Tragklötze 25-26 in Fig. 1, 2 und 4 mit an die Grundplatte 1 angegossen. In diese Tragklötze 25-26 werden die Spulenscheiben der beiden Weckerspulen gelagert. Für die beiden Spulenkerne 29-30 in Fig. 1 und 5 und den permanenten Magneten 31 sind die beiden Tragklötze 27-28 vorgesehen, während die Weckerschalen auf besondere Träger 39-40 in Fig. 1 und 3 der Grundplatte 1 aufgeschraubt sind. Die Spulenkerne 29-30 und der permanente Magnet 31 werden durch eine gemeinsame Eisenschelle 32 in Fig. 2 und 5 festgeklemmt. Durch den Zwischenraum der beiden Tragklötze 27-28 für die Spulenkerne 29-30 ist der Weckerklöppel 33 hindurchgeführt. Für die Lagerung des Weckerankers 36 in Fig. 4 ist die Achse 34 mit in die Grundplatte 1 und der Aufgestelle 35 eingespritzt.

Das Haltestück 38 in Fig. 1 und 2 der Grundplatte 1 dient als Träger des Kontaktfedersatzes des Umschalters 6 und zur Befestigung der Betätigungsfeder 37. Die Betätigungsfeder 37 und der Kontaktfedersatz des Umschalters 6 sind auf dem mit Gewindeflöchern versehenen Haltestück 38 aufgeschraubt.

Für die Lagerung des Tastenknopfes 41 in Fig. 1 und 6 dient die an die Grundplatte angegossene Führungshülse 42. Der an sich glatte Tastknopf besitzt einen Einstich. Die Führungshülse 42 weist einen waagerechten Schlitz 43 auf. Die Betätigungsfeder 44 wird durch den Einstich des Tastenknopfes 41 geführt. Die Bewegung der Taste in axialer Richtung wird durch die entsprechend gewählte Breite des waagerechten Schlitzes 43 in der Hülse 42 begrenzt. Der Kontaktfedersatz der Taste ist auf einen besonderen Träger 45 in Fig. 1 und 3 der Grundplatte 1 aufgeschraubt. Da bekannterweise nicht alle Fernsprechstationen eine Taste benötigen, könnte für solche Stationen auf besondere Trägerelemente für die Taste verzichtet werden.

Wird, wie im vorliegenden Ausführungsbeispiel gezeugt, ein Rundkondensator verwendet, so ist die Grundplatte 1 mit einer Mulde 46 in Fig. 1 versehen, in welche der Rundkondensator eingelagert wird. Durch den Federbügel 47 wird der Kondensator in seiner Lage festgehalten. Für die Einführung der Anschlussschnüre sind an die Grundplatte 1 Führungstüllen 48 in Fig. 7 und 49 in Fig. 2 angegossen. Für die Halterung der Schnur dient ein dornartiger Anguss 50 in Fig. 7, über den die Schlaufe einer Anschlussschnur geschoben wird. Um ein Abgleiten der Schlaufe von dem dornartigen Anguss 50 zu verhindern, ist die Gehäusekappe mit einem besonderen Absatz 51 versehen, der den Kopf des Angusses 50 abdeckt. Die in Fig. 7 gezeigte Anordnung ist für die an der linken Seite der Fernsprechstation herausgeführte Mikrotelefon schnur.

Für die Anschlusschnur der Station dient die in Fig. 1 und 2 dargestellte Führungstülle 49. Zur Halterung für die Anschlusschnur dient hierbei ein besonderes Isolierstück 54, über welches die Schlaufen der Anschlusschnur gesteckt bzw. die Anschlusschnur befestigt wird. Damit dieses Isolierstück 54 nicht beliebig weit in das Innere der Fernsprechstation eingeschoben werden kann, besitzt die Grundplatte 1 gabelförmige Ansätze 52-53. Gegen diese gabelförmigen Ansätze 52-53 legt sich das Isolierstück 54 beim Einschleiben der Anschlusschnur an.

Aus Fig. 3 ist ersichtlich, dass die Trägerelemente 20, 21 und 39 materialsparende Hohlräume besitzen.

Die Ausführungsform der Station nach Fig. 8 und 9 zeigt eine Grundplatte 7, bei der der Träger 55 eines Trommelwählschalters 13 mit an die Grundplatte 7 angegossen ist. Der Träger 55 für den Nummernschalter besitzt zwei Einschnitte 64-65 zur Befestigung des Gehäuses 66.

Bei der in den Fig. 8 und 9. gezeigten Station bildet die Anschlussleiste 9 mit der Induktionsspule 10 eine Einheit. Als Träger für diese Einheit dienen die gabelförmigen Angüsse 56-57 in Fig. 8. Die Glockenschalenenträger 58-59 dienen gleichzeitig als Träger des Joches 60 eines Weckersystems 11. Die Glockenschalenenträger 58-59 sind mit der Grundplatte 7 vereinigt.

Weiterhin weist die Grundplatte 7 rippenartige, angegossene Stützen 61-62 auf, in welche eine Schnurführungstülle 63 eingesteckt wird.

PATENTANSPRÜCHE:

1. Fernsprechstation, bei der die einzelnen Baueinheiten an angegossenen Tragstücken der Grundplatte befestigt sind, dadurch gekennzeichnet, dass die auf der Grundplatte anzuordnende Induktionsspule, das Weckersystem und gegebenenfalls der Station zugeordnete Tasteneinrichtungen sich zusammensetzen aus mit der Grundplatte aus einem Material gegossenen, gleichzeitig als Tragstücke maßhaltig ausgebildeten Teilen und aus einfügbaren losen Teilen, derart, dass allein durch Einfügen und Festlegen der einfügbaren Teile entsprechend der gegebenen Maßhaltigkeit jeweils eine funktionsfähige Baueinheit entsteht.
2. Fernsprechstation nach Anspruch 1, dadurch gekennzeichnet, dass die Tragstücke (20, 21) für die Induktionsspule (3) senkrechte Nuten zur Aufnahme der Eisenbleche besitzen und die Bleche durch auf die Tragstücke (20, 21) anschraubbare Haltebleche (23, 24) festgeklemmt sind.
3. Fernsprechstation nach Anspruch 1 und 2, dadurch gekennzeichnet, dass die Eisenbleche L-förmig sind und mit dem kurzen Schenkel nach oben in die senkrechten Nuten der Tragstücke (20, 21) eingeschichtet sind.
4. Fernsprechstation nach Anspruch 1 bis 3, dadurch gekennzeichnet, dass auf den langen Schenkeln der eingeschichteten Eisenbleche die kurzen Schenkel der in die Spule eingeschobenen Eisenbleche und auf den kurzen Schenkeln der eingeschichteten die langen Schenkel der in die Spule eingeschobenen Eisenbleche aufliegen.

5. Fernsprechstation nach Anspruch 1 bis 4, dadurch gekennzeichnet, dass zwischen den Aufgestellten der Bleche Isolierblättchen zur Einstellung des magnetischen Widerstandes des Eisenkerns eingeschichtet sind.
6. Fernsprechstation nach Anspruch 1, dadurch gekennzeichnet, dass die Spulen des Weckers (4) und sein permanenter Magnet (31) in Tragstücke (25, 26) für die Spulenscheiben und in Tragstücke (27, 28) für die Spulenkern (29, 30) gelagert sind.
7. Fernsprechstation nach Anspruch 6, dadurch gekennzeichnet, dass die Spulenkern (29, 30) und der permanente Magnet (31) durch eine gemeinsame Eisenschelle (32) festgeklemt sind.
8. Fernsprechstation nach Anspruch 6, dadurch gekennzeichnet, dass zwischen den beiden Tragstücken (27, 28) für die Spulenkern (29, 30) der um die in der Grundplatte und im Träger (35) eingespritzte Ankerdrehachse drehbare Weckerklöppel (33) hindurchgeführt ist.
9. Fernsprechstation nach Anspruch 1, dadurch gekennzeichnet, dass die mit der Grundplatte (7) vereinigten Flockenschalenenträger (58, 59) als Träger des Joches (60) eines Weckers (11) dienen.
10. Fernsprechstation nach Anspruch 1, dadurch gekennzeichnet, dass die Betätigungsfeder (37) und der Kontaktfedersatz des Umschalters (36) auf ein mit Gewindelöchern versehenes Tragstück (38) aufgeschraubt sind.
11. Fernsprechstation nach Anspruch 1, dadurch gekennzeichnet, dass ein nur mit einem Einstich versehener Tastenknopf (41) in die an die Grundplatte angegossene Führungshülse (42) eingesteckt ist und durch die im Einstich des Tastenknopfes (41) geführte Betätigungsfeder (44) entsprechend der Breite eines waagerechten Schlitzes (43) in der Hülse (42) in seiner axialen Bewegung begrenzt ist.
12. Fernsprechstation nach Anspruch 11, dadurch gekennzeichnet, dass der Kontaktfedersatz der Taste auf ein besonderes, mit der Grundplatte (1) gegossenes Tragstück (45) aufgeschraubt ist.
13. Fernsprechstation nach Anspruch 1, dadurch gekennzeichnet, dass die Grundplatte (7) mit dem Träger (55) eines Nummernschalters (13) aus einem Stück besteht.

In Betracht gezogene Druckschriften:

Deutsche Patentschrift: Nr. 516 171;

Französische Patentschrift Nr. 941 246;

Britische Patentschriften Nr. 346 356, 356 448;

Zeitschrift „Machine Design“, Mai 1951, S. 132.
französische Patentschrift Nr. 941 246;
britische Patentschriften Nr. 346 356, 356 448;
Zeitschrift ‚Machine Design‘, Mai 1951, S. 132.

Hierzu 1 Blatt Zeichnungen

909 532/24 6.59